

# Installation Instructions - Plexineon Suspended Static Color

Models: Plexineon Fixture Suspension Mount Static Color and Plexineon Rings Suspension Mount Static Color

Please read all instructions prior to installation and keep for future reference!

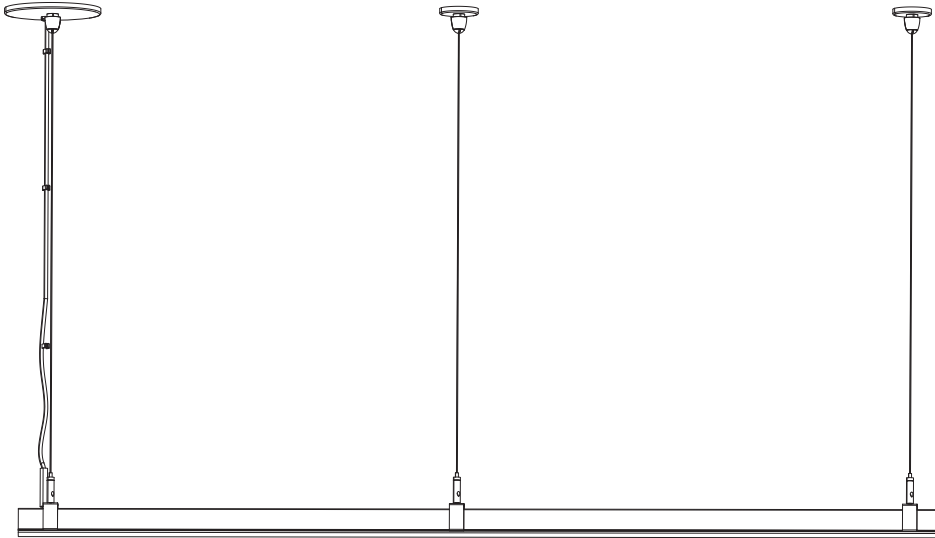
1. PRODUCT TO BE INSTALLED BY A QUALIFIED ELECTRICIAN.
2. USE ONLY WITH CLASS 2 POWER UNIT
3. 24 VOLTS DC
4. SUITABLE FOR WET LOCATIONS
5. SUSPENDED MOUNT ONLY



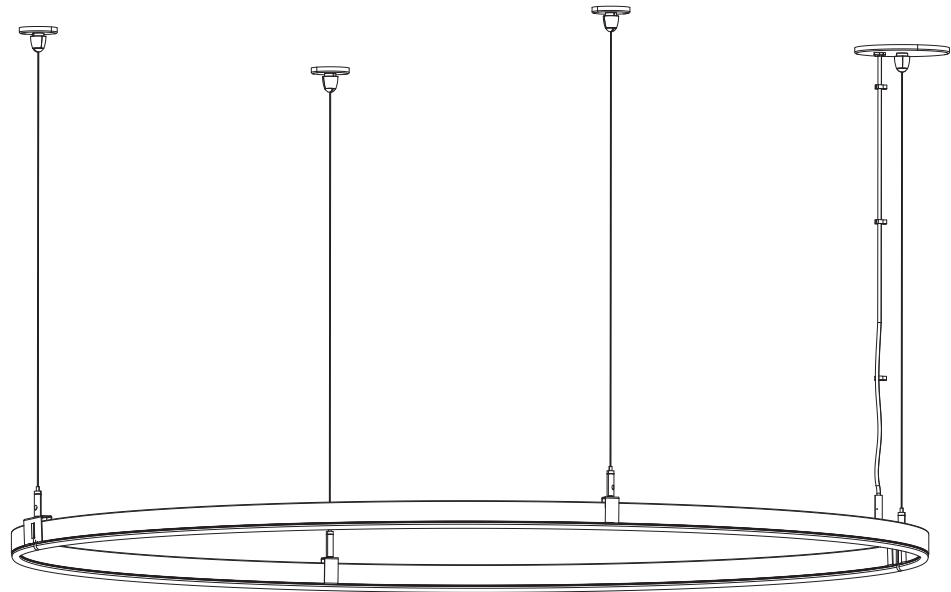
REVO.2  
05282024

1 / 4

**ilight**  
by luminii  
7777 Merrimac Ave  
Niles, IL 60714  
T 224.333.6033  
F 224.757.7557  
info@luminii.com  
www.luminii.com



Plexineon Straight Run Fixture



Plexineon Ring Surface Mount

# Installation Instructions - Plexineon Suspended Static Color

Models: Plexineon Fixture Suspension Mount Static Color and Plexineon Rings Suspension Mount Static Color

Please read all instructions prior to installation and keep for future reference!

1. PRODUCT TO BE INSTALLED BY A QUALIFIED ELECTRICIAN.
2. USE ONLY WITH CLASS 2 POWER UNIT
3. 24 VOLTS DC
4. SUITABLE FOR WET LOCATIONS
5. SUSPENDED MOUNT ONLY



REVO.2  
05282024

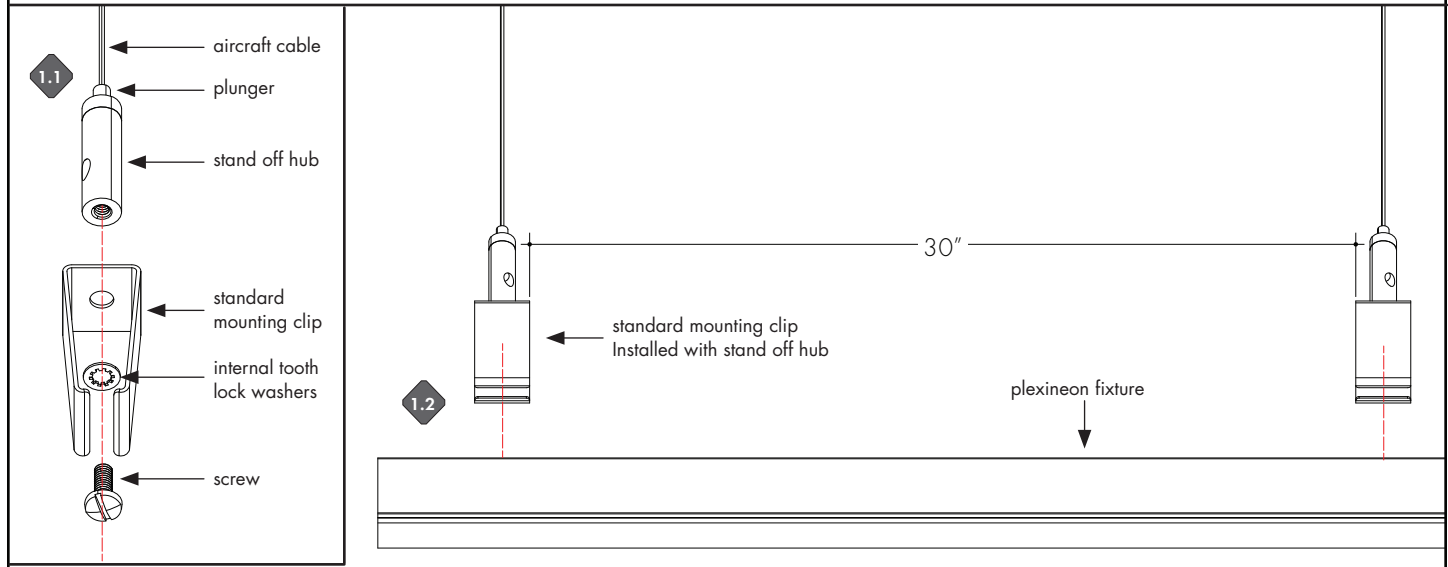
2 / 4

**ilight**  
by luminii  
7777 Merrimac Ave  
Niles, IL 60714  
T 224.333.6033  
F 224.757.7557  
info@luminii.com  
www.luminii.com

1

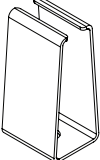
**NOTE:** Prior to installation all 24VDC wires must be present within 72" of the installation. Refer to the power supply installation instruction for additional information.

**NOTE:** More than one person is recommended for this installation.




- 1.1** Screw mounting clip to stand off hub. Use plunger to adjust the length of aircraft cable.
- 1.2** Fix the plexineon fixture into installed mounting clips. See step A for clipping instructions. Make sure mounting clips are certain distance apart.

**NOTE:** Standard Clips and Decorative Clips have different required spacing.



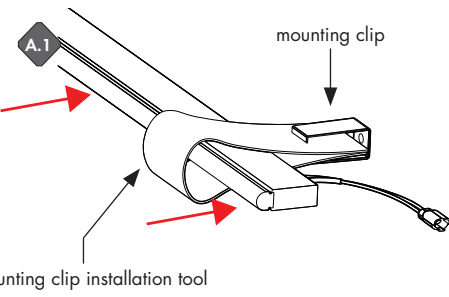
standard mounting clip  
30" space



decorative mounting clip  
18" space

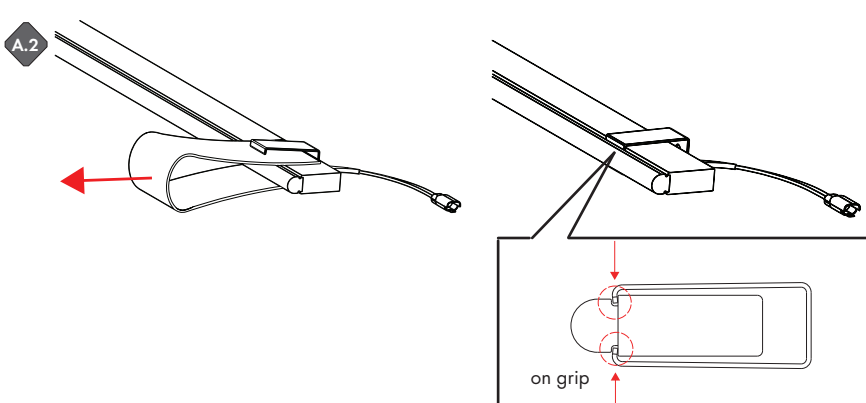
### Install Fixtures into Mounting Clips

**A.1**



mounting clip installation tool

**A.2**



on grip

**A.1** Make an U shape with mounting clip installation tool, insert two edges into mounting clip. Place plexineon fixture inside the shape. Then push the fixture into clip.

**A.2** Remove the tool. Make sure mounting clip is clipped right on the grip.

# Installation Instructions - Plexineon Suspended Static Color

Models: Plexineon Fixture Suspension Mount Static Color and Plexineon Rings Suspension Mount Static Color

Please read all instructions prior to installation and keep for future reference!

1. PRODUCT TO BE INSTALLED BY A QUALIFIED ELECTRICIAN.
2. USE ONLY WITH CLASS 2 POWER UNIT
3. 24 VOLTS DC
4. SUITABLE FOR WET LOCATIONS
5. SUSPENDED MOUNT ONLY



REVO.2  
05282024

3 / 4

**ilight**  
by luminii  
7777 Merrimac Ave  
Niles, IL 60714  
T 224.333.6033  
F 224.757.7557  
info@luminii.com  
www.luminii.com

**2**

**NOTE:** Prior to installation all 24VDC wires must be present in junction box. Refer to the power supply installation instruction for additional information.

**2.1** Align one standoff hub to the junction box and mark the other hubs' location to the ceiling.

**3**

**3.1** Slide power cord end through strain relief, canopy, and cross bar. Peel back power cord to expose wires. Connect red (24VDC+) and black (24VDC-) power supply wires to fixture red and black wires. Waterproof wire nuts recommended in this step.

**NOTE:** Prior to wiring the desired fixture height must be determined to cut off any un-necessary wire.

**4**

**4.1** Insert wire nut and extra wire into junction box. Slide weld stud into the center hole of cross bar. Screw cross bar into junction box holes or the ceiling.

**4.2** Slide canopy up to the cross bar and secure by tightening the thumb nut to weld stud.

**5**

**5.1** Screw cap to threaded post with aircraft cable.

**5.2** Fix the aircraft cable into thumbnut, secure by tightening by hand.

# Installation Instructions - Plexineon Suspended Static Color

Models: Plexineon Fixture Suspension Mount Static Color and Plexineon Rings Suspension Mount Static Color

Please read all instructions prior to installation and keep for future reference!

1. PRODUCT TO BE INSTALLED BY A QUALIFIED ELECTRICIAN.
2. USE ONLY WITH CLASS 2 POWER UNIT
3. 24 VOLTS DC
4. SUITABLE FOR WET LOCATIONS
5. SUSPENDED MOUNT ONLY



REVO.2  
05282024

4 / 4

**ilight**  
by luminii  
7777 Merrimac Ave  
Niles, IL 60714  
T 224.333.6033  
F 224.757.7557  
info@luminii.com  
www.luminii.com

