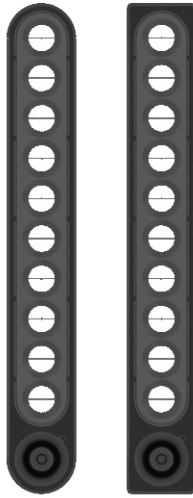


# Hero

Ceiling recessed

# LightShift® adjustable luminaire



Hero adjustable luminaire with LightShift technology provides for beam adjustment with a joystick-actuated internal mechanism that does not move or reorient the luminaire body. Harmonious integration into the architecture and flexible installation into the tightest spaces. Fixed light emitting face orientation, precision optics, adaptive glare baffle, and advanced anti-reflective materials provide for exceedingly low glare. Available with a wide range of beam characteristics, shapes, colors, and mounting configurations.

## PERFORMANCE

Light Output	1290 lumens (3000 K)				
Efficacy	58 lumens/watt (3000 K)				
Color Temperature	2700, 3000, 3500, 4000 K				
Color Rendering	92 CRI				
Name	VN	NS	SP	WS	VW
Beam: Width	11°	14°	23°	36°	44°
Field angle	20°	25°	38°	59°	69°



	2700K	3000K	3500K	4000K
Lumens	1220	1290	1335	1390
CRI Ra	92	96	95	94
CRI R9	65	79	81	74
TM30 Rf	89	94	94	92
TM30 Rg	103	101	102	99
VN-11° CBCP	27712	29252	30330	32724
NS-14° CBCP	18379	19400	20115	21703
SP-23° CBCP	7206	7606	7886	8509
WS-36° CBCP	3212	3390	3515	3792
VW-44° CBCP	2375	2507	2599	2805

Scale 1.21x for 80 CRI

## ADJUSTMENT

Tilt	rated to ±40°
Pan	infinite (360° with no stops)

## ELECTRICAL

Operating Power	23 W (10 LED)
	120-277 V, 50-60 Hz, power factor > 0.9
Dimming	1% phase, 0-10 V, or DALI, 0.1% optional

## MECHANICAL

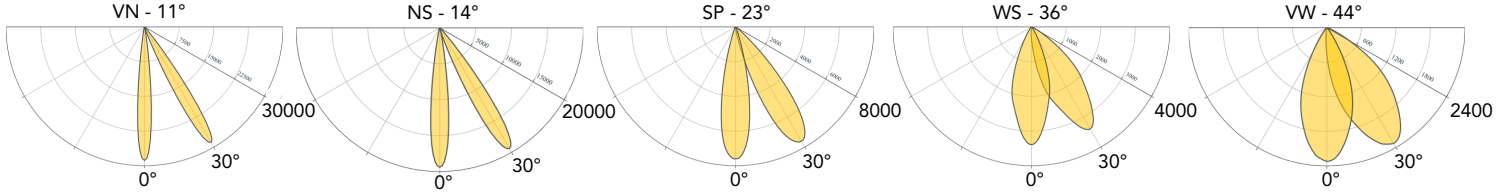
Mounting	Non-IC new construction, Non-IC panless flex install
Trim	trimless (mud-in), low-profile trim (rounded only)
Shape	rectangular or rounded
Height (in plenum)	3.4" nominal
Hanger Length	14" to 24" standard, 12" to 48" optional adjustable butterfly mounts available
Ceiling Thickness	trimless: 1/4" - 2", low-profile trim: 1/2" - 5/8"



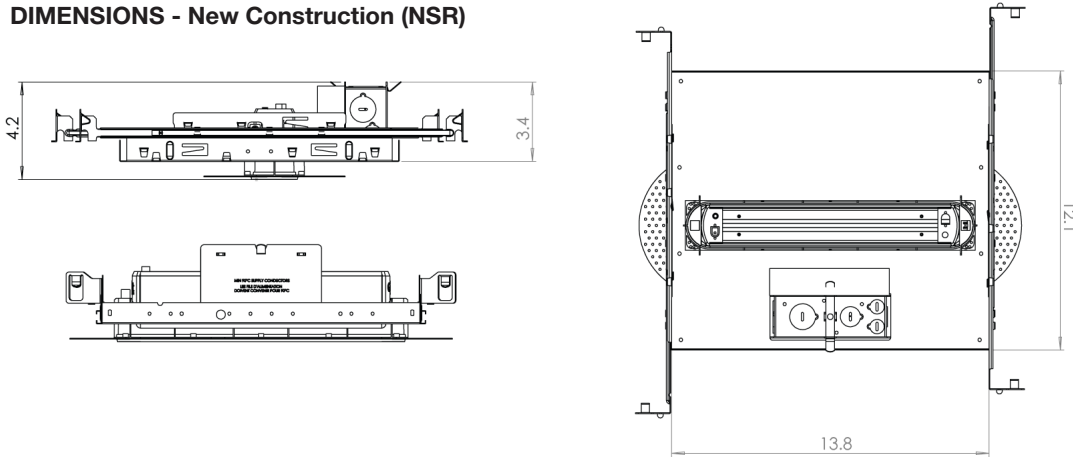
**PHOTOMETRICS**

Illuminance measured for 3000K with beam direction at 0° and 30°. Cone size is marked at 50% of peak illuminance. Photometric files available for download at <https://www.glintlighting.com/resources>.

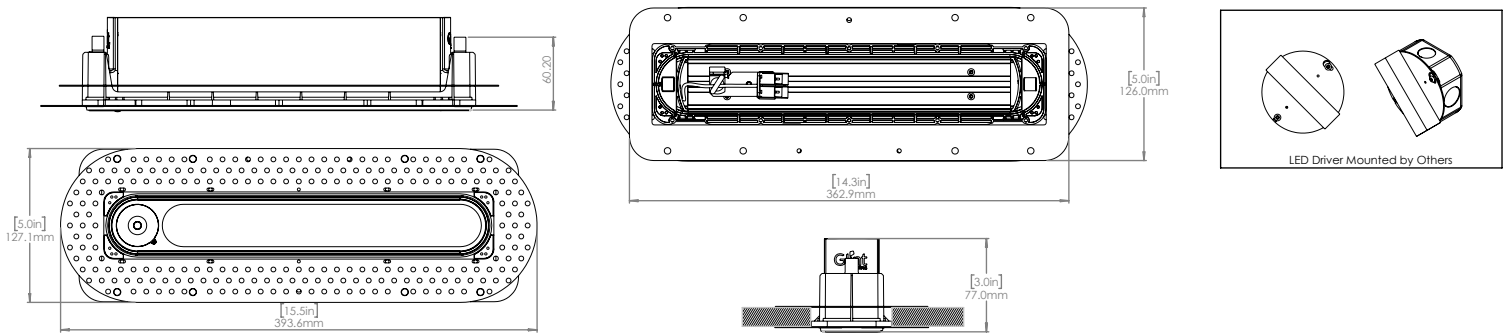
Scale 1.21x for 80 CRI



**DIMENSIONS - New Construction (NSR)**



**DIMENSIONS - Flexible Installation (FLX)**



**ORDERING INFORMATION**

Please create order codes for your specification from the selections below. For custom requirements, please indicate X in the appropriate field and separately write out your request or contact us for a custom build or setup code.

<input type="text"/>	-	<input type="text"/>	-	<input type="text"/>	-	<input type="text"/>	-	<input type="text"/>	-	<input type="text"/>		
<b>MODEL</b>		<b>SIZE</b>		<b>SHAPE</b>		<b>TRIM COLOR</b>		<b>INSTALLATION</b>		<b>TRIM</b>		<b>VOLTAGE</b>
A1015 Hero non-IC		10-1 10 LED		R rectangular P rounded		BLK black (TRL trim only) WHT white		NSR new construction FLX flexible installation		TLM trimless mud-in TRL low-profile trim (rounded shape only)		U12 120V U27 277V

-	<input type="text"/>	-	<input type="text"/>	-	<input type="text"/>	-	<input type="text"/>	-	<input type="text"/>	-	<input type="text"/>
	<b>DIMMING</b>		<b>CCT / CRI Ra</b>		<b>BEAM SIZE</b>		<b>LIGHT OUTPUT</b>		<b>CUSTOM BUILD</b>		<b>CUSTOM SETUP</b>
	E10 phase 1%		2790 2700K 92 CRI		VN 11°		SO standard		STK stock build		STD standard setup
	T10 0-10V, 1%		3090 3000K 92 CRI		NS 14°		XO custom		BFB butterfly brackets		LIN linear dim curve
	TX1 0-10V, 0.1%		3590 3500K 92 CRI		SP 23°				CBH 48" bar hangers		--- custom
	D10 DALI-2, 1%		4090 4000K 92 CRI		WS 36°				XBL custom		
	DX1 DALI-2, 0.1%		XCT custom		VW 44°						
	EM1 0-10V, 1% EM 5W battery & microinverter										Note: BFB and CBH are only for installation type NSR