

# Installation Instructions

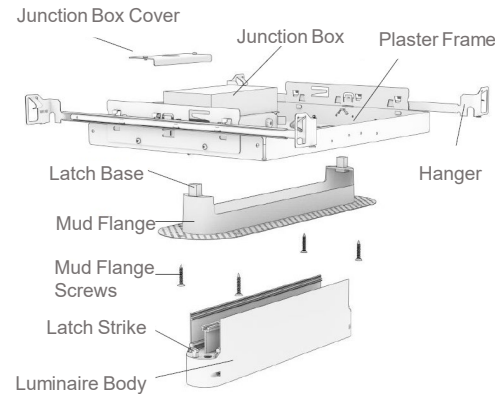
## Hero Recessed – Trimesse Mud-in (NON-IC)



### Important Safety Instructions

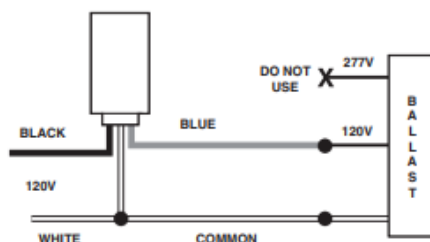
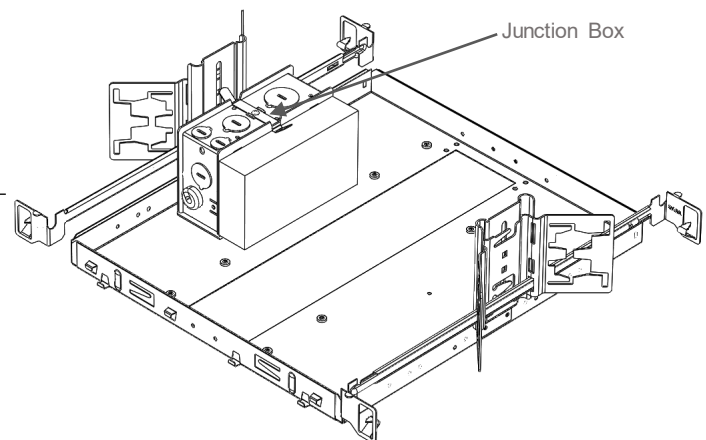
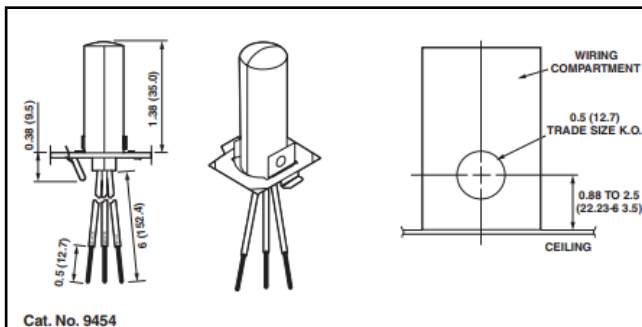
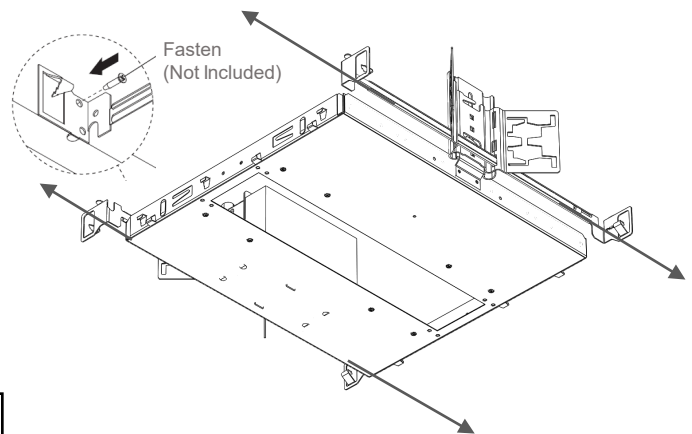
**IMPORTANT: NEVER attempt any work without shutting off electricity at main fuse box or breaker panel.**

- Read all instructions before installation, save a copy of these instructions
- System is intended to be installed by a qualified electrician in accordance with the National Electrical Code and local codes and regulations
- Always ensure the fixture and plaster frame are properly grounded
- Ensure that all screws and fasteners are properly tightened
- Minimum 90°C supply conductors must be used
- All parts must be used as indicated in these instructions. Do not substitute any parts, leave parts out, or use any parts that are worn or broken. Failure to follow this instruction could invalidate the ETL/CETL listing of this fixture and create a potential safety hazard.
- Mud flange must be secured by screws in the indicated position
- Fixture safety wire must be installed prior to inserting fixture into aperture



### Install and Wire Frame

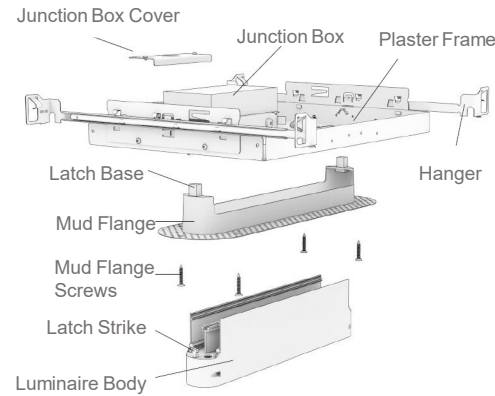
1. Fix plaster frame to joists or other secure ceiling material using provided hanger bars
2. Remove junction box cover and install conduit using appropriate fittings to wire building supply conduits to driver.
3. Install Conduit to Junction Box and Wire up with supplied SHTP using wiring diagram below



### Important Safety Instructions

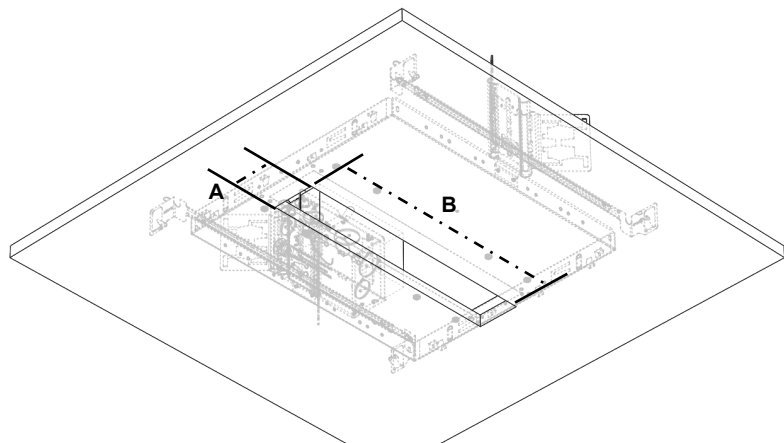
**IMPORTANT: NEVER attempt any work without shutting off electricity at main fuse box or breaker panel.**

- Read all instructions before installation, save a copy of these instructions
- System is intended to be installed by a qualified electrician in accordance with the National Electrical Code and local codes and regulations
- Always ensure the fixture and plaster frame are properly grounded
- Ensure that all screws and fasteners are properly tightened
- Minimum 90°C supply conductors must be used
- All parts must be used as indicated in these instructions. Do not substitute any parts, leave parts out, or use any parts that are worn or broken. Failure to follow this instruction could invalidate the ETL/CETL listing of this fixture and create a potential safety hazard.
- Mud flange must be secured by screws in the indicated position
- Fixture safety wire must be installed prior to inserting fixture into aperture

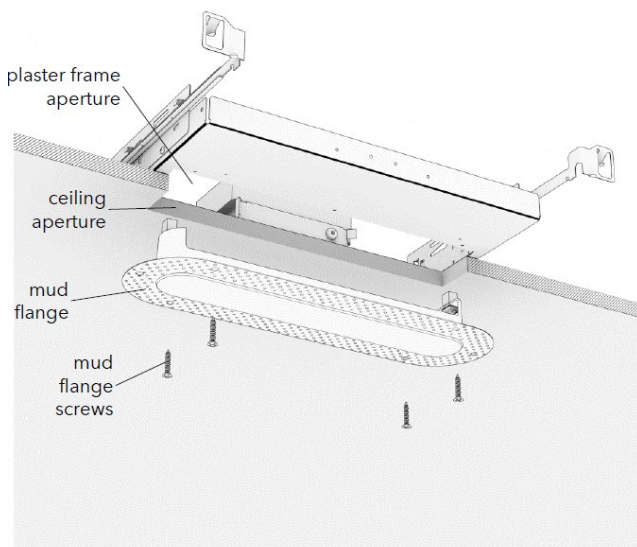


### Aperture Cut and Finish

1. Install ceiling and cut aperture to align with aperture on plaster frame
2. Insert mud flange into aperture and ensure that the plaster frame aperture is aligned with ceiling aperture.
3. Secure mud flange using eight (8) provided screws.
4. Mud over flange area up to mud dam
5. Carefully clean and finish ceiling using mud and paint.



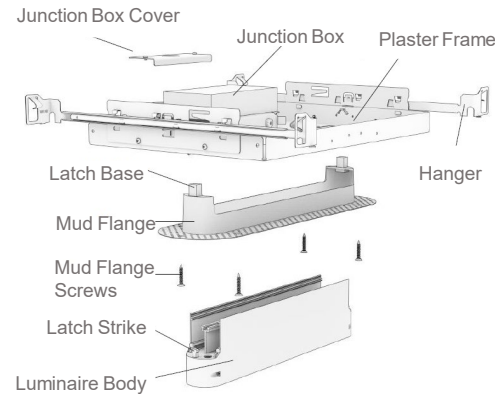
Model	Housing	A	B	Clearance
10 Emitter	Rounded	68mm	327mm	80mm
10 Emitter	Rectangular	68mm	327mm	80mm



### Important Safety Instructions

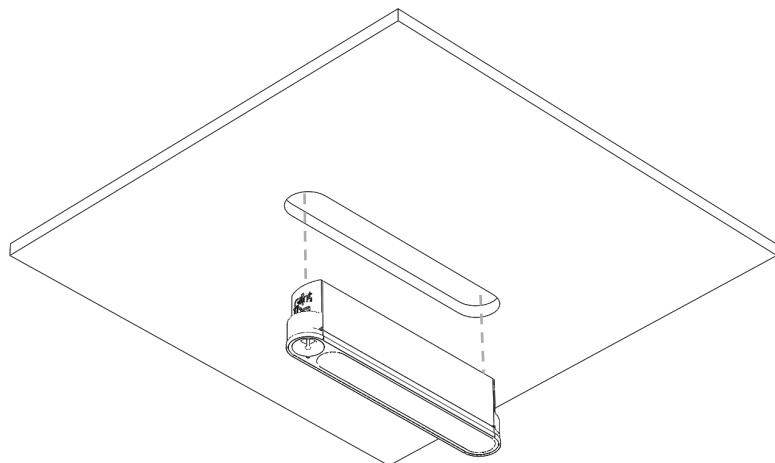
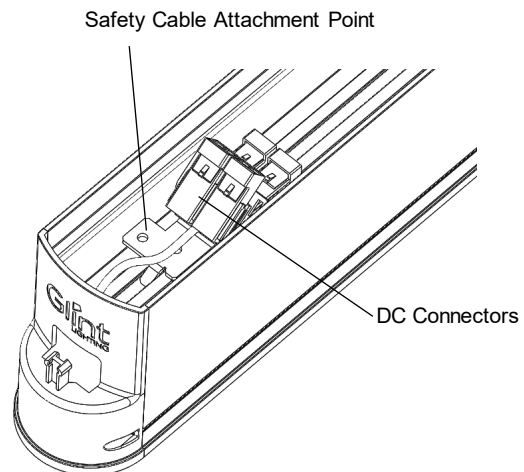
**IMPORTANT: NEVER attempt any work without shutting off electricity at main fuse box or breaker panel.**

- Read all instructions before installation, save a copy of these instructions
- System is intended to be installed by a qualified electrician in accordance with the National Electrical Code and local codes and regulations
- Always ensure the fixture and plaster frame are properly grounded
- Ensure that all screws and fasteners are properly tightened
- Minimum 90°C supply conductors must be used
- All parts must be used as indicated in these instructions. Do not substitute any parts, leave parts out, or use any parts that are worn or broken. Failure to follow this instruction could invalidate the ETL/CETL listing of this fixture and create a potential safety hazard.
- Mud flange must be secured by screws in the indicated position
- Fixture safety wire must be installed prior to inserting fixture into aperture



### Install Luminaire

1. Connect Safety Cable from Plaster Frame
2. Connect DC Cable from Junction Box to DC Connectors on Luminaire using the two-color coded connectors. Ensure all connections are snug and safety cable is secure.
3. Insert Luminaire into mud flange aperture while ensuring that no cables are captured between the luminaire and mud flange
4. Press the luminaire into the aperture until the latches click and then slowly release ensuring that it does not fall back down.
5. To remove luminaire, press up again to release the latch, to release luminaire from aperture.



# Installation Instructions

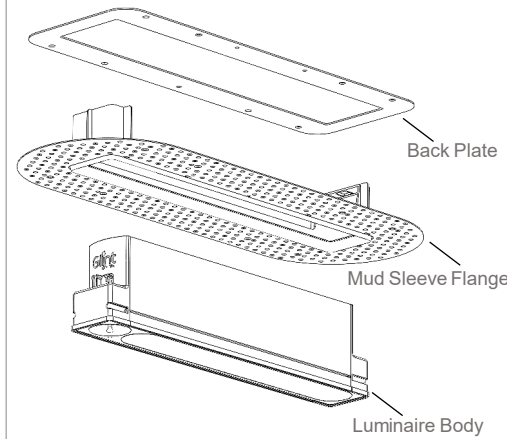
## Hero Recessed – Triness Mud-in (NON-IC) Back Plate + Remote Driver Only



### Important Safety Instructions

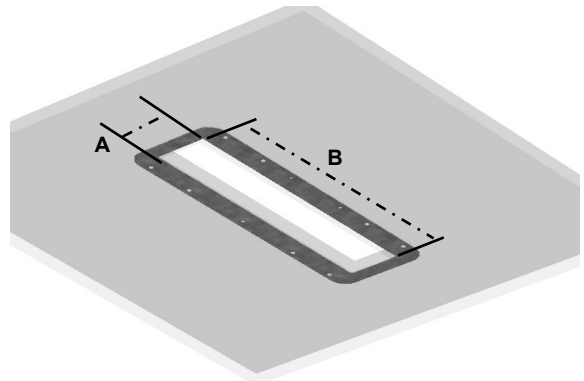
**IMPORTANT: NEVER attempt any work without shutting off electricity at main fuse box or breaker panel.**

- Read all instructions before installation, save a copy of these instructions
- System is intended to be installed by a qualified electrician in accordance with the National Electrical Code and local codes and regulations
- Always ensure the fixture and fittings are properly grounded
- Ensure that all screws and fasteners are properly tightened
- Minimum 90°C supply conductors must be used.
- Mud flange must be secured by screws in the indicated position
- Fixture safety wire must be installed prior to inserting fixture into aperture



### Aperture Cut and Finish

1. Cut aperture to align with aperture on Back Plate.
2. Insert Mud Sleeve flange into aperture and ensure that the Back Plate is aligned with ceiling aperture.
3. Secure mud flange using eight (8) provided screws.
4. Mud over flange area up to mud dam
5. Carefully clean and finish ceiling using mud and paint.
6. After the ceiling is finished. Install luminaire according to the original instructions by inserting and engaging the latch.
7. Power Supply is provided and installed by others.



Model	Housing	A	B	Clearance
10 Emitter	Rounded	68mm	327mm	80mm
10 Emitter	Rectangular	68mm	327mm	80mm

