

Kilo Recessed & Kilo Recessed Corners- Installation Instructions

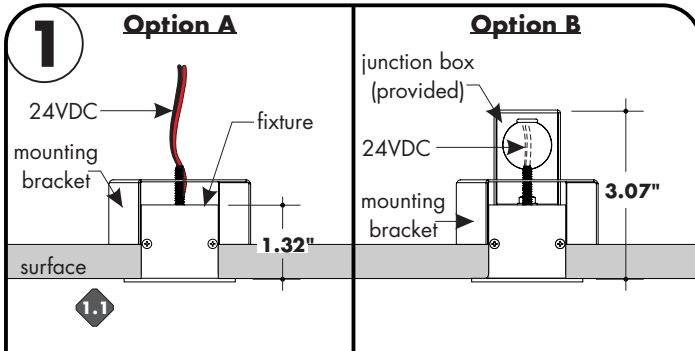
Models KR-, & KRC-



7777 Merrimac Ave
Niles, IL 60714
T 224.333.6033
F 224.757.7557
info@luminii.com
www.luminii.com

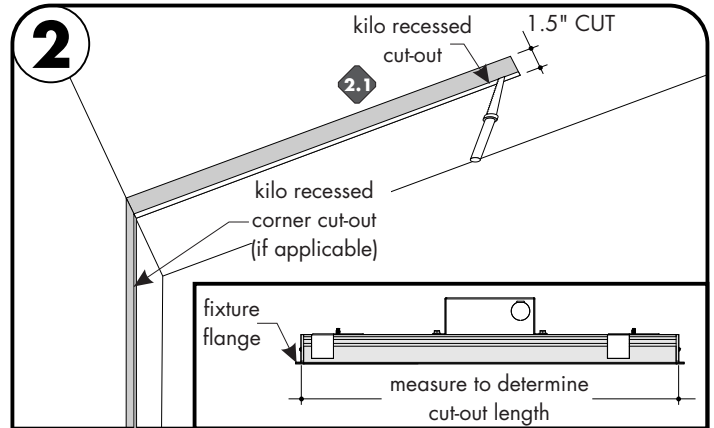
Please read all instructions prior to installation and keep for future reference!

1. PRODUCT TO BE INSTALLED BY A QUALIFIED ELECTRICIAN.
2. USE ONLY WITH CLASS 2 POWER UNIT
3. 24 VOLTS DC
4. SUITABLE FOR DAMP LOCATIONS
5. SUITABLE FOR INSTALLATION WITHIN THE CLOSET STORAGE SPACE
6. ACCESS ABOVE CEILING REQUIRED
7. TYPE IC (CEILING & WALL)
8. INHERENTLY PROTECTED

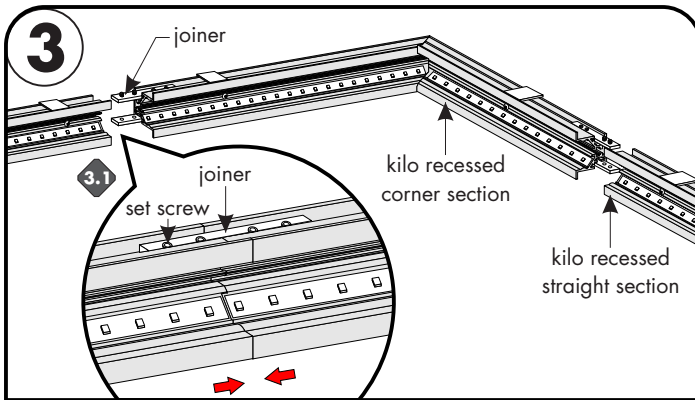


Option A: If the Kilo Recessed LED lead wires will be connected to 24VDC power wires in a remote junction box.

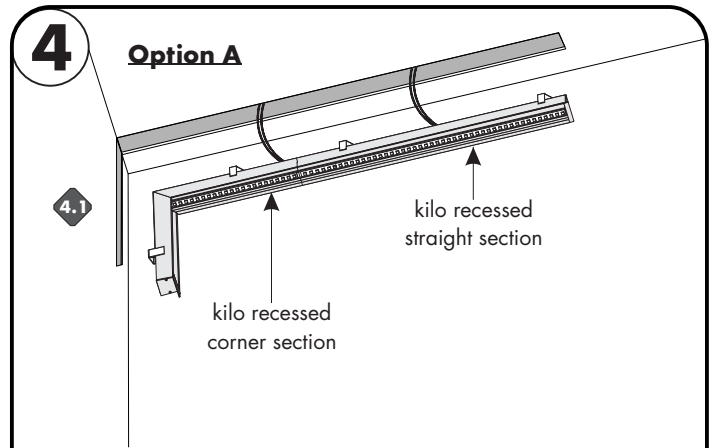
Option B: If the Kilo Recessed LED lead wires will be connected to 24VDC power wires inside provided junction box on top of Kilo Recessed.



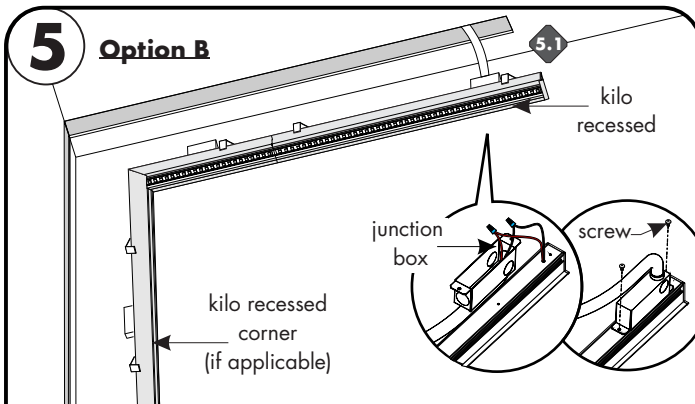
2.1 Determine the location of the installation. Measure the fixture(s) length (excluding the flanges on the ends of fixtures), and then cut a 1.5" wide cut-out all along the desired location.



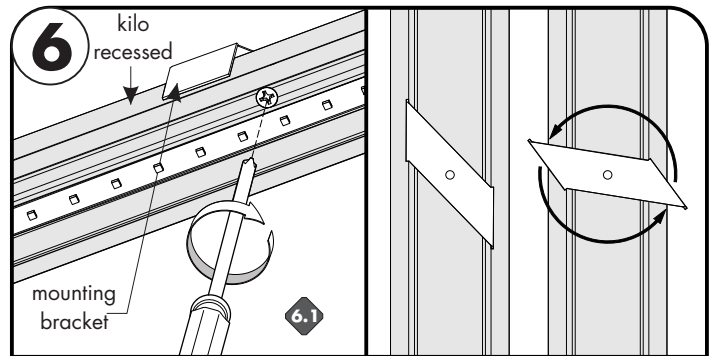
3.1 If joining sections together as a system align the joiners to the corresponding section end. Followed by inserting then tightening the setscrews to secure.



4.1 Run the fixture(s) lead wire to the remote power supply. Refer to step 9 for wiring.



5.1 Connect the 24VDC power wires to the Kilo Recessed LED wires inside the nearest junction box Refer to step 7 for wiring. Once wires are secure, secure the junction box to the back of Kilo Recessed with the provided screws, make sure all wires & connection are inside junction box.



6.1 Rotate mounting brackets on top of the Kilo Recessed so they are flushed to the side of the Kilo Recessed.

6.2 Then carefully push the Kilo Recessed into mounting cavity. Hold the Kilo Recessed in place then proceed to turn the mounting brackets screws until fully secure. Mounting brackets will rotate so they are perpendicular to the extrusion to clamp down on mounting surface.

Kilo Recessed & Kilo Recessed Corners- Installation Instructions

Models KR-, & KRC-



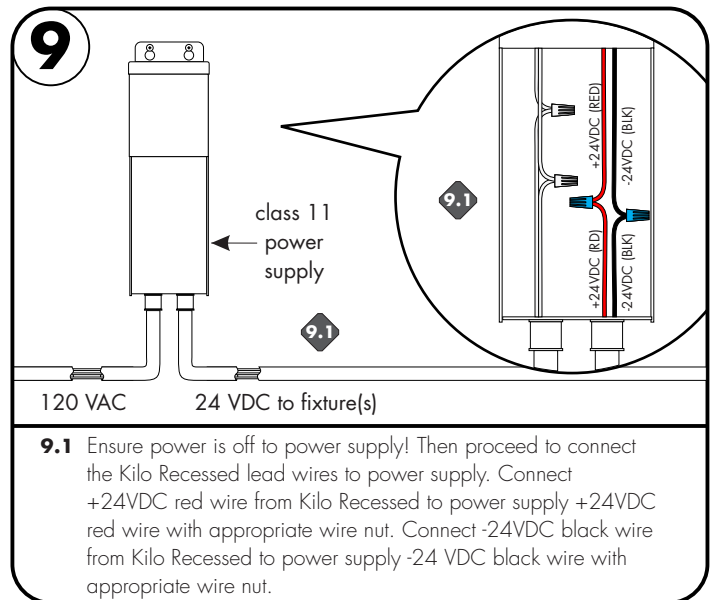
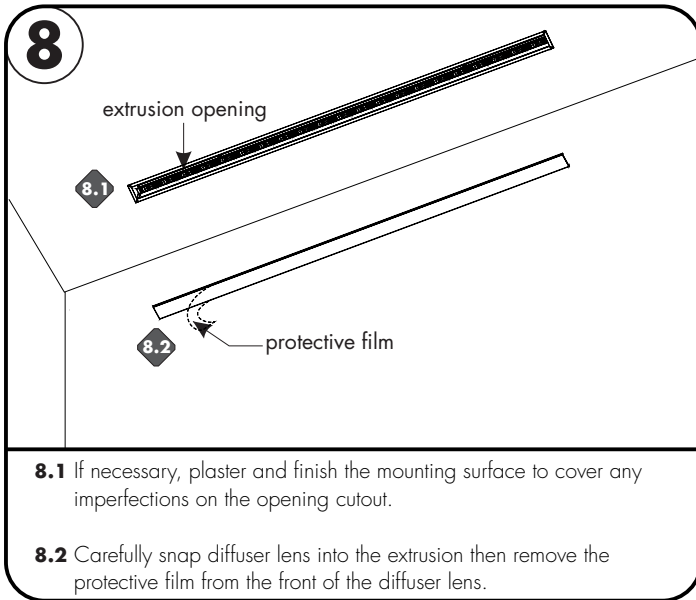
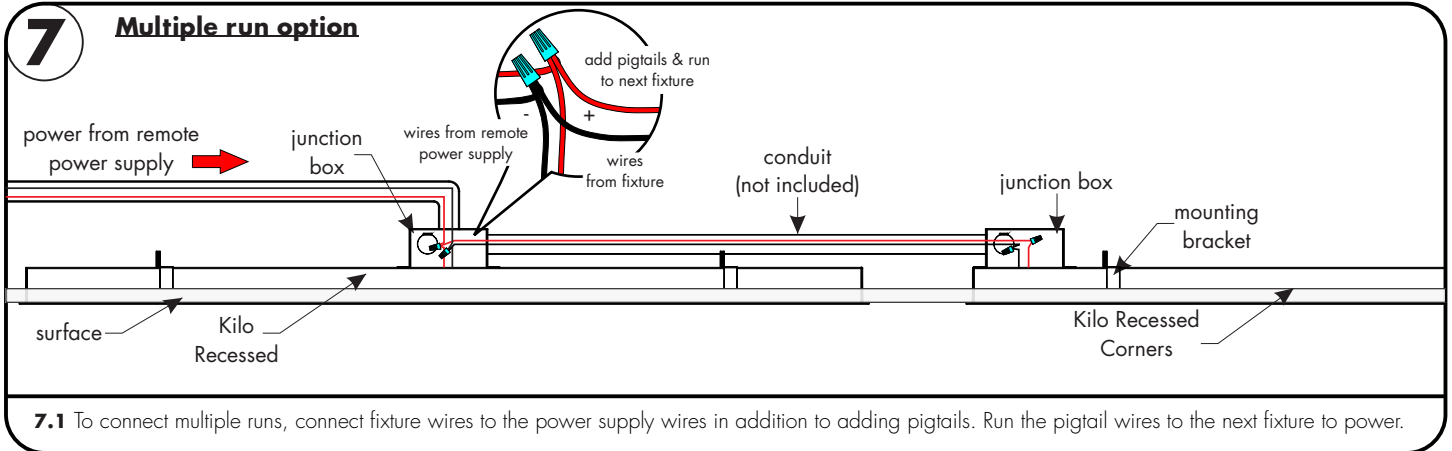
luminii

7777 Merrimac Ave
Niles, IL 60714
T 224.333.6033
F 224.757.7557
info@luminii.com
www.luminii.com

Please read all instructions prior to installation and keep for future reference!

1. PRODUCT TO BE INSTALLED BY A QUALIFIED ELECTRICIAN.
2. USE ONLY WITH CLASS 2 POWER UNIT
3. 24 VOLTS DC
4. SUITABLE FOR DAMP LOCATIONS
5. SUITABLE FOR INSTALLATION WITHIN THE CLOSET STORAGE SPACE
6. ACCESS ABOVE CEILING REQUIRED
7. TYPE IC (CEILING & WALL)
8. INHERENTLY PROTECTED

Page 2 of 3



Kilo Recessed & Kilo Recessed Corners- Installation Instructions

Models KR-, & KRC-



luminii

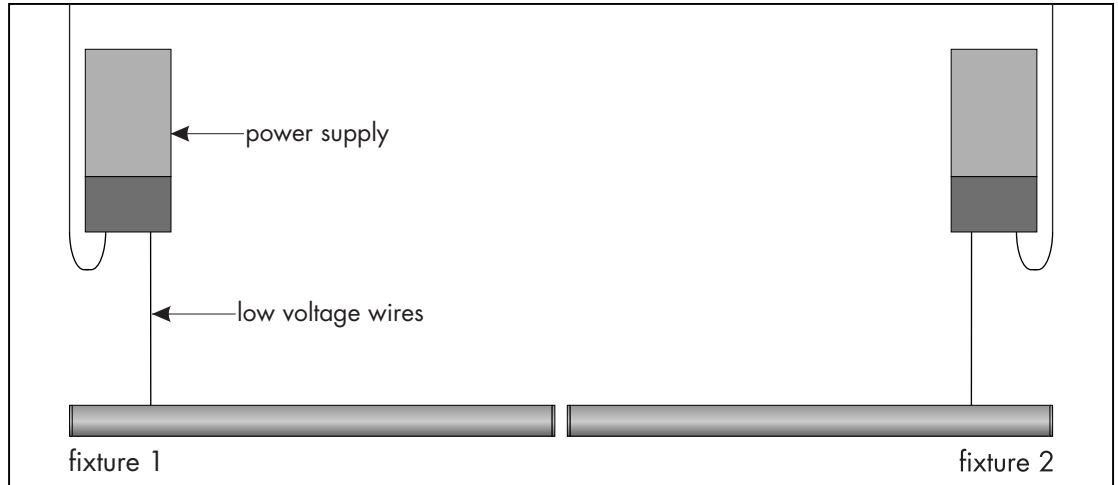
7777 Merrimac Ave
Niles, IL 60714
T 224.333.6033
F 224.757.7557
info@luminii.com
www.luminii.com

Please read all instructions prior to installation and keep for future reference!

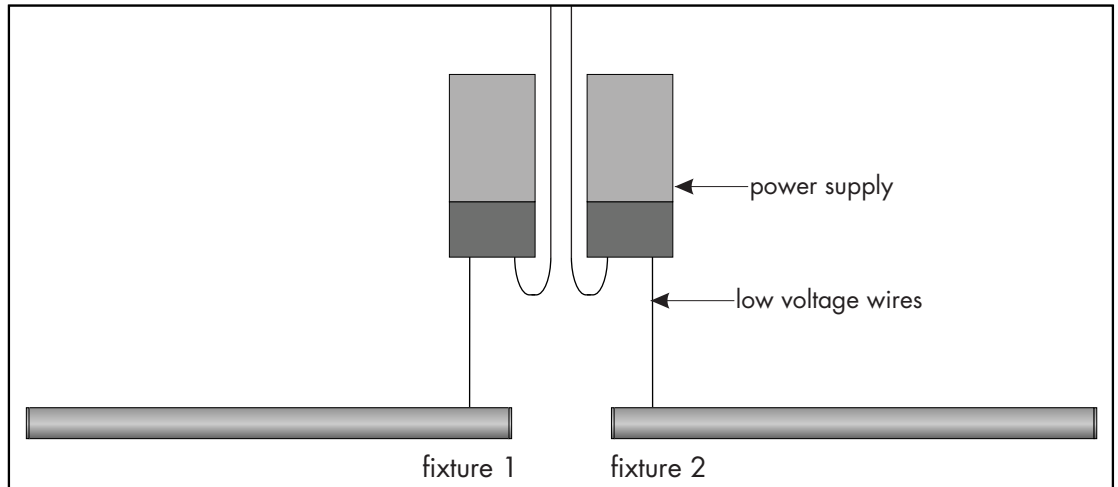
1. PRODUCT TO BE INSTALLED BY A QUALIFIED ELECTRICIAN.
2. USE ONLY WITH CLASS 2 POWER UNIT
3. 24 VOLTS DC
4. SUITABLE FOR DAMP LOCATIONS
5. SUITABLE FOR INSTALLATION WITHIN THE CLOSET STORAGE SPACE
6. ACCESS ABOVE CEILING REQUIRED
7. TYPE IC (CEILING & WALL)
8. INHERENTLY PROTECTED

multiple powerfeed layouts

power supplies at the end of the run



power supplies in the middle of the run



consecutive layout, NOT RECOMMENDED

