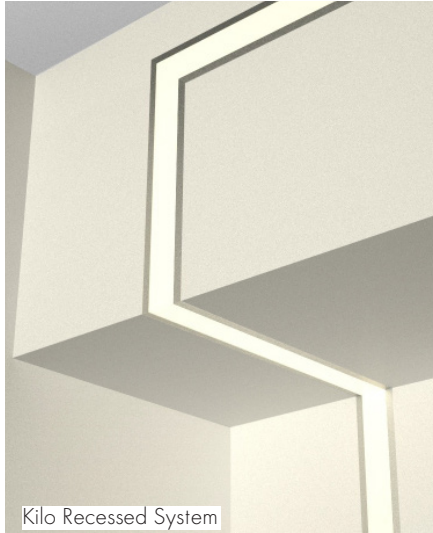
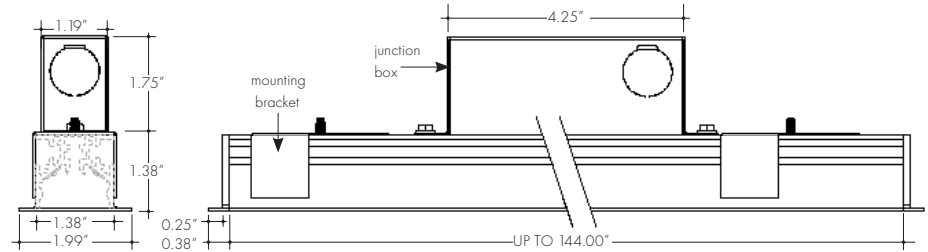


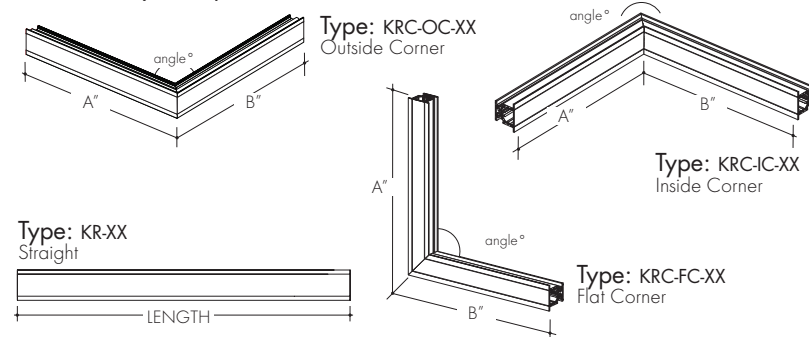
Extruded aluminum linear corners complete an area that contains corners or straight turns. Kilo Recessed Corners have mitered cuts that are available in a standard 90°, or custom angle. The Kilo Recessed Corner is suitable for general illumination, architectural accents, display cases and many other discrete recessed applications. Class 2 listed for damp locations.



Kilo Recessed Profile W/ junction box



Kilo Recessed System Options



- Made in USA
- UL US LISTED
- IC RATED**
- RoHS Compliant**
- SINGLE BIN 30 CCT
- dimmable

Finish options



Technical Information

OUTPUT OPTIONS

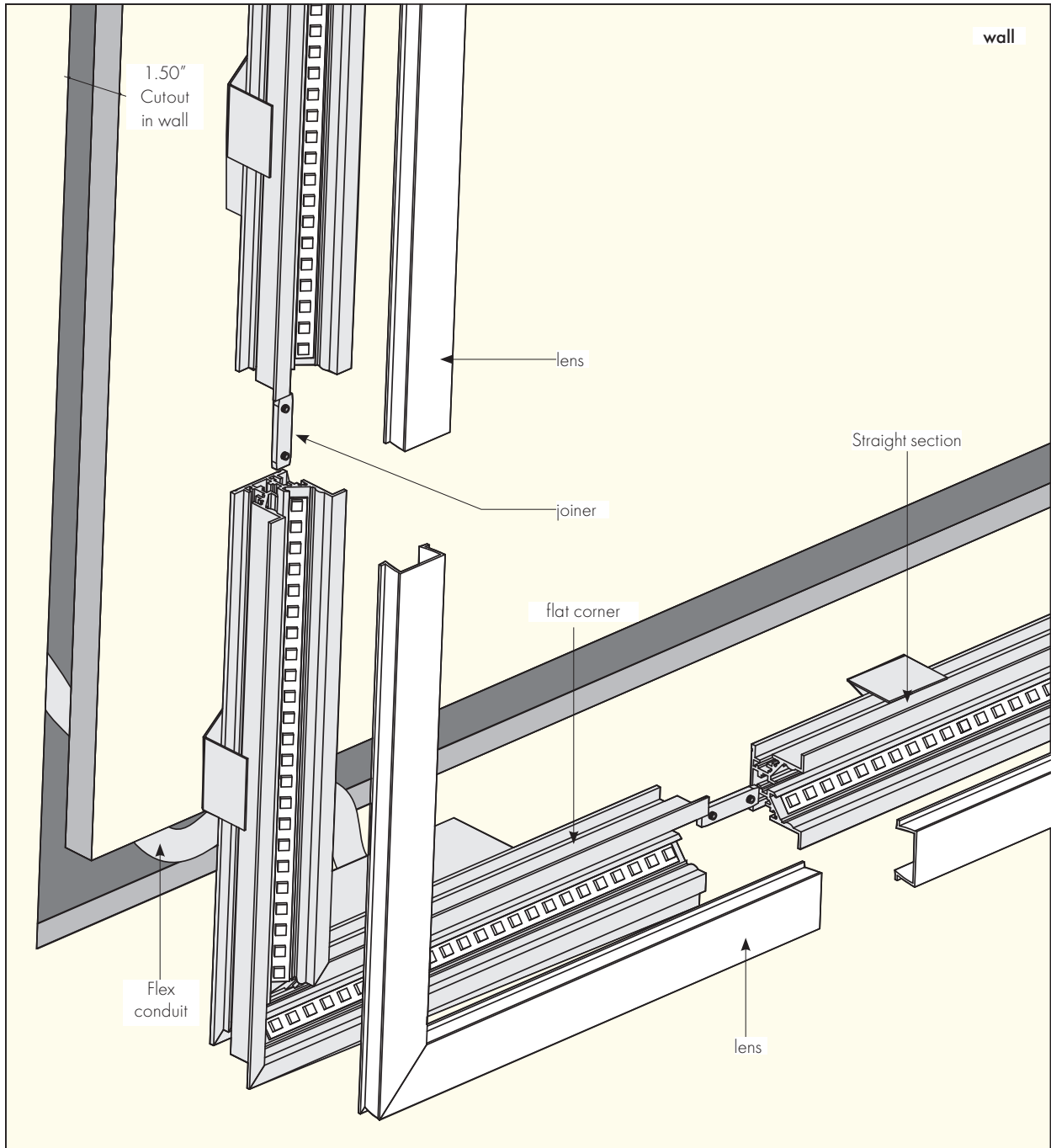
Output	Lumens at 3000K (with clear lens)	Average power consumption at 4'	Lumens / Watt (with clear lens)
SO (2 x LL36)	329 lm/ft	6.5 W/ft	51 lm/W
MO (2 x LL54)	489 lm/ft	9.7 W/ft	50 lm/W
HO (2 x LL72)	735 lm/ft	12.0 W/ft	61 lm/W

Color temperature	Multiplier (reference - 3000K)	CRI	R _f	R _g
2200K	0.87	86	87	98
2400K	0.73	98	95	102
2700K	0.81	97	95	101
2900K	0.86	97	94	101
3000K	1.00	91	89	98
3500K	1.05	94	90	102
4100K	1.28	94	86	96

Ordering code

MODEL	CORNER TYPE	ANGLE	CCT	OUTPUT	LENS	FINISH	LEFT END	RIGHT END	POWER FEED POSITION / TYPE
KRC	IC	90	22K	SO	F	SA	LE	RE	B - 1
<small>KRC - Kilo Recessed Corners</small>	<small>IC - Inside Corner OC - Outside Corner FC - Flat</small>	<small>90 - 90° C - Custom*</small>	<small>22K - 2200 K 24K - 2400 K 27K - 2700 K 29K - 2900 K 30K - 3000 K 35K - 3500 K 41K - 4100 K</small>	<small>SO - Standard MO - Medium HO - High</small>	<small>F - Frosted</small>	<small>SA - Silver BK - Black BZ - Bronze WH - White (BK,BZ,WH finishes will have an upcharge and require longer lead times)</small>	<small>LE - W/ endcap LN - W/O endcap</small>	<small>RE - W/ endcap RN - W/O endcap</small>	<small>B - Bottom JB - Integrated junction box</small>

Corners assembly examples



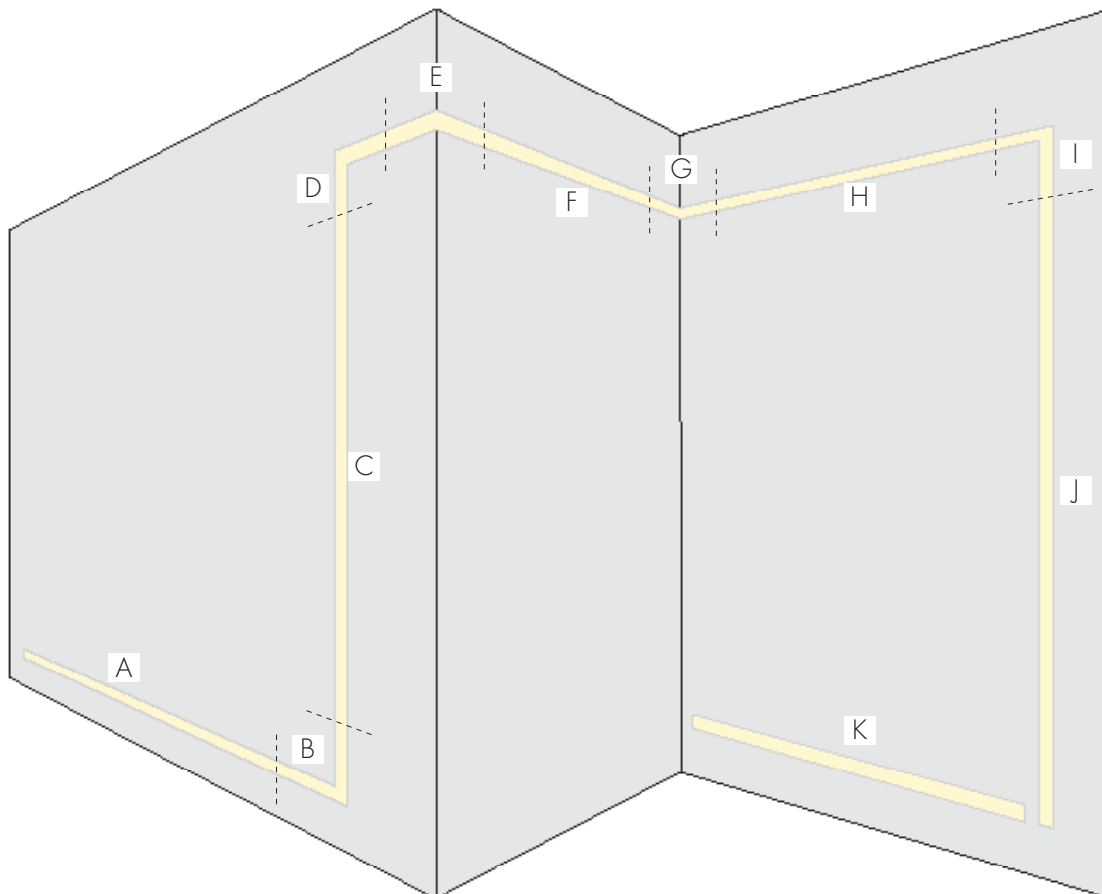
Ordering code for straight sections

MODEL	LENGTH	CCT	OUTPUT	LENS	FINISH	LEFT END	RIGHT END	POWER FEED POSITION / TYPE
KR	12	22K	SO	F	SA	LE	RE	B
KR - Kilo Recessed	12" - 144" 4" increments	22K - 2200 K 24K - 2400 K 27K - 2700 K 29K - 2900 K 30K - 3000 K 35K - 3500 K 41K - 4100 K	SO - Standard MO - Medium HO - High	F - Frosted	SA - Silver BK - Black BZ - Bronze WH - White (BK, BZ, WH finishes will have an upcharge and require longer lead times)	*LE - W/ endcap LN - W/O endcap	*RE - W/ endcap RN - W/O endcap	B - Bottom JB - Integrated junction box
								1
								1 - Wire leads

* Select for a straight run independently of the system

Layout example

Corner types are ordered individually following ordering code on page 1. If using corners to complete a system follow Kilo recessed ordering code for all straight runs on page 2.



Example ordering codes for the above layout

Section	Ordering Code	Description
A	KR - 108 - 29K - MO - F - SA - LE - RN - B-1	9'-0" straight run, medium output
B	KRC - FC - 90 - 29K - MO - F - SA - LN - RN - B-1	90° flat corner turn, medium output
C	KR - 72 - 29K - MO - F - SA - LN - RN - B-1	6'-0" straight run, medium output
D	KRC - FC - 90 - 29K - MO - F - SA - LN - RN - B-1	90° flat corner turn, medium output
E	KRC - OC - 90 - 29K - MO - F - SA - LN - RN - B-1	90° outside corner turn, medium output
F	KR - 36 - 29K - MO - F - SA - LN - RN - B-1	3'-0" straight run, medium output
G	KRC - IC - 90 - 29K - MO - F - SA - LN - RN - B-1	90° inside corner turn, medium output
H	KR - 48 - 29K - MO - F - SA - LN - RN - B-1	4'-0" straight run, medium output
I	KRC - FC - 90 - 29K - MO - F - SA - LN - RN - B-1	90° flat corner turn, medium output
J	KR - 84 - 29K - MO - F - SA - LN - RE - B-1	7'-0" straight run, medium output
K	KR - 48 - 29K - MO - F - SA - LE - RE - B-1	4'-0" straight run, medium output

Power feed & Accessory example

Section below is taken from the ordering code, reference page 1 & 2 for complete code

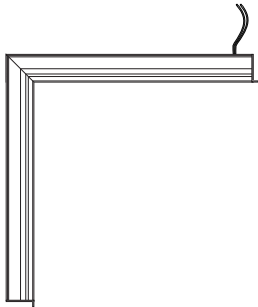
POWER FEED POSITION / TYPE

B - **1**

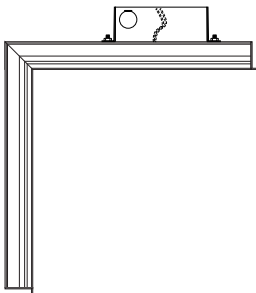
B - Bottom
JB - Junction
Box
1 - Wire leads

Powefeed options for KRC fixtures

B-1 : Wire leads, plenum rated CL3R cable



JB-1 : One integrated junction box



Powefeed options for KR straight sections

B-1 : Wire leads, plenum rated CL3R cable



JB-1 : One integrated junction box

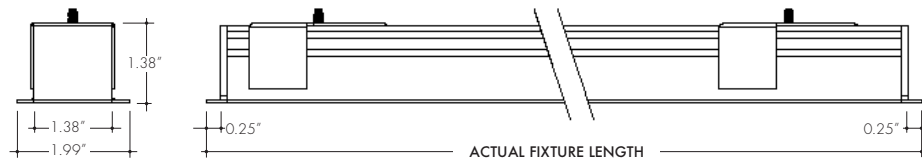


Power consumption per fixture length

Based on operation with PSD series of power supplies.

Nominal Length	Actual Length	SO		Actual Length	MO		Actual Length	HO	
		W/ft	Total wattage		W/ft	Total wattage		W/ft	Total wattage
12"	13-6/16"	6.50	6.50	13-5/16"	10.70	10.60	13-5/16"	13.50	13.5
16"	17-4/16"	6.50	8.00	17-4/16"	10.66	14.12	17-3/16"	13.50	18
20"	21-4/16"	6.50	10.50	21-4/16"	10.62	17.64	21-3/16"	13.50	22.5
24"	25-2/16"	6.50	13.00	25-3/16"	10.60	21.20	25-2/16"	13.50	27
28"	29-1/16"	6.50	15.50	29-1/16"	10.56	24.66	29-1/16"	13.50	33.5
32"	33-1/16"	6.50	17.00	33-1/16"	10.50	28.12	33 "	13.50	38
36"	36-15/16"	6.50	19.50	37 "	10.50	31.60	36-15/16"	13.30	39.9
40"	40-14/16"	6.50	20.50	40-15/16"	10.46	34.80	41-14/16"	13.30	44.4
44"	44-14/16"	6.40	23.50	44-14/16"	10.42	38.00	45-13/16"	13.3	48.8
48"	48-13/16"	6.40	25.60	48-13/16"	10.40	41.20	49-12/16"	13.10	52.4
52"	52-12/16"	6.40	26.60	54-1/16"	10.36	44.80	53-11/16"	13.10	57
56"	56-11/16"	6.40	29.60	58 "	10.32	48.40	57-10/16"	13.10	61
60"	60-10/16"	6.40	32.00	61-15/16"	10.30	52.00	61-9/16"	12.90	64.5
64"	64-9/16"	6.40	34.00	65-14/16"	10.26	55.20	65-8/16"	12.90	68.8
68"	70-7/16"	6.30	36.00	69-13/16"	10.22	58.40	69-7/16"	12.90	73.1
72"	74-6/16"	6.30	37.80	73-12/16"	10.20	61.60	73-6/16"	12.80	76.8
76"	78-5/16"	6.30	38.00	77-11/16"	10.16	64.80	77-5/16"	12.80	81.00
80"	82-5/16"	6.30	43.00	81-11/16"	10.12	68.00	81-4/16"	12.80	86.00
84"	86-3/16"	6.30	44.10	85-10/16"	10.10	71.40	85-3/16"	12.50	87.50
88"	90-2/16"	6.30	46.00	89-8/16"	10.06	74.20	89-2/16"	12.50	92.00
92"	94-1/16"	6.20	48.00	93-7/16"	10.02	77.00	93-1/16"	12.50	96.00
96"	98 "	6.20	49.60	97-7/16"	10.00	80.00			
100"	102 "	6.20	52.60	101-6/16"	9.98	83.20			
104"	105-14/16"	6.10	54.20	105-5/16"	9.92	86.40			
108"	109-14/16"	6.10	56.00	109-4/16"	9.90	89.60			
112"	113-13/16"	6.10	57.00	113-3/16"	9.86	92.40			
116"	117-11/16"	6.10	60.00	117-2/16"	9.82	95.20			
120"	121-11/16"	6.00	61.00						
124"	125-10/16"	6.00	63.00						
128"	129-8/16"	6.00	65.00						
132"	133-8/16"	5.90	67.00						
136"	137-7/16"	5.90	68.60						
140"	141-6/16"	5.90	71.00						
144"	145-5/16"	5.80	72.00						

To calculate cutout for recess opening subtract 0.50" from actual fixture length. Additional dimensions below if necessary.



Power consumption per Corner type

Based on operation with PSD series of power supplies.

Corner Type	Actual length (AxB)	SO		MO		HO	
		Total wattage	Actual length (AxB)	Total wattage	Actual length (AxB)	Total wattage	
Flat	13-3/4" x 13-3/4"	15.00	13-1/8" x 13-1/8"	21.50	12-1/4" x 12-1/4"	22.50	
Outer	13-1/16" x 13-1/16"	14.50	13" x 13"	21.00	12-1/4" x 12-1/4"	22.50	
Inner	10-11/16" x 10-11/16"	13.00	10-11/16" x 10-11/16"	20.00	10-11/16" x 10-11/16"	22.50	

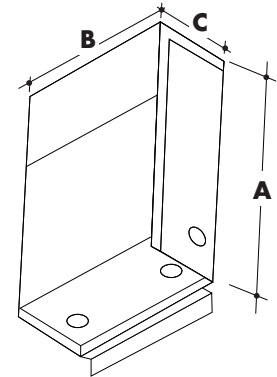
Power supply

See fixture and power supply instructions & spec sheet for wiring information. Dimming possible in select models - view Luminii website for list of compatible dimmers.

Magnetic Low Voltage Dimming Power Supplies:

MODEL	POWER	OUTPUT	INPUT
PSD	48	24	
PSD - PSD Series dims down to 0%	48 - 48 W 96 - 96 W 288 - 288 W (3x 96W)	24 - 24 VDC	Blank - 120 V 240 - 240 V 277 - 277 V

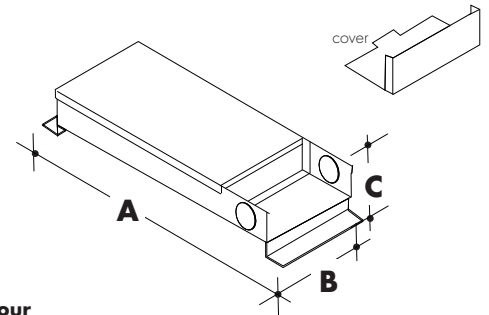
MODELS	PSD 48	PSD 96	PSD 288
A Length	11.25"	11.25"	13.06"
B Width	3.42"	3.42"	8.42"
C Depth	3.42"	3.27"	4.47"



Electronic Low Voltage Dimming Power Supplies:

MODEL	CIRCUIT x POWER	OUTPUT	INPUT
CVE	48D	24	
CVE - CVE Series dims down to 0.1%	48D - 48W 48X2D - 2 x 48W 48X3D - 3 x 48W 48X4D - 4 x 48W 96D - 96W 96X2D - 2 x 96W 96X3D - 3 x 96W 96X4D - 4 x 96W	24 - 24 VDC	Blank - 120 V 277 - 240/277 V

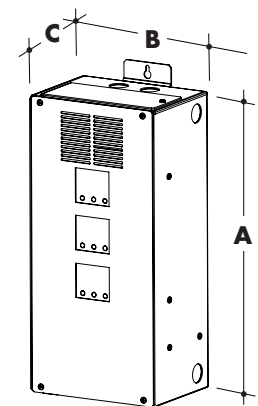
MODELS	Single circuit	Dual circuit	Three circuit	Four circuit
A Length	13.9"	13.8"	13.8"	13.8"
B Width	2.3"	4.0"	5.9"	7.75"
C Depth	1.3"	1.9"	1.9"	1.9"



0-10V Dimming Power Supplies:

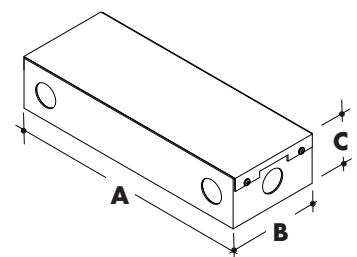
MODEL	POWER	OUTPUT	DIMMING
PS010V	3X96	24	LIN
PS010V - 0-10V Power Supply dims down to 0%	96 - 96 WATT 3X96 - 3 X 96 WATT	24 - 24 VDC	LIN - Linear LOG - Logarithmic

MODELS	96 W	3X96
A Length	14.40"	15.75"
B Width	5.20"	6.60"
C Depth	2.60"	4.80"



MODEL	POWER	OUTPUT	DIMMING	LOCATION
PSV	40	24	U2DIM	D
PSV - PSV Series dims down to 5%	40 - 40 W 60 - 60 W 96 - 96 W	24 - 24 VDC	U2DIM - Dimming 0-10V	D - Dry Location IP65 - Wet Location

MODELS	PSV Dry	PSV Wet
A Length	9.2"	9.5"
B Width	3.4"	4.12"
C Depth	1.9"	2.3"



Power supply

See fixture and power supply instructions & spec sheet for wiring information. Dimming possible in select models - view Luminii website for list of compatible dimmers.

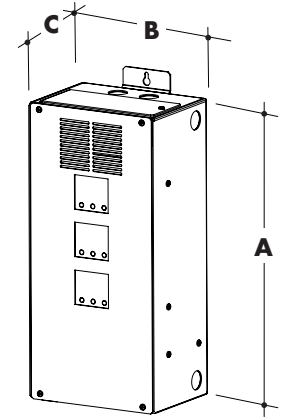
DMX Dimming Power Supplies:

MODEL	POWER	OUTPUT
PSDMX	96	24
PSDMX - DMX Power Supply	96 - 96 WATT 3X96 - 3 X 96 WATT	24 - 24 VDC

- Features eldoLED's LINEARdrive configurable dimmable drivers

MODELS 3X96 W

A Length	15.75"
B Width	6.60"
C Depth	4.80"



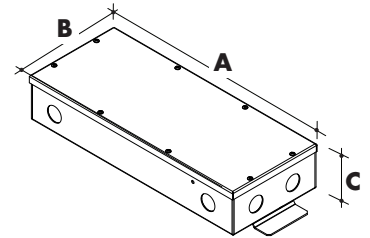
DALI Dimming Power Supplies:

MODEL	POWER	OUTPUT
PSDALI	96	24
PSDALI - DALI Power Supply dims down to 0%	96 - 96 WATT 3X96 - 3 X 96 WATT	24 - 24 VDC

- Features eldoLED's LINEARdrive configurable dimmable drivers

MODELS 96 W

A Length	14.40"
B Width	5.20"
C Depth	2.60"



LUTRON®

Luminii is a Lutron OEM Advantage Partner

MODEL

LTEA4U1UKL-CV240

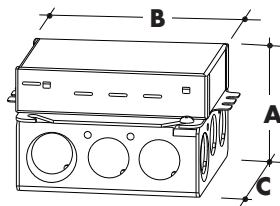
Lutron -Hi-lume™ 1% 2-wire LED driver (120V forward phase only)

MODELS	LTEA	L3DA
A Length	4.89"	4.89"
B Width	2.66"	2.66"
C Depth	4.00"	4.00"

MODEL

L3DA4U1UKL-CV240

Hi-lume™ 1% EcoSystem Voltage LED Driver

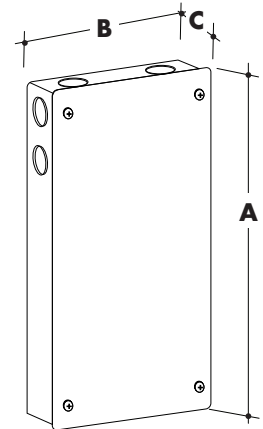


MODEL

L3DO-96W24V-U

Hi-lume™ 0.1% EcoSystem Voltage LED Driver with Soft-On, Fade-to-Black™

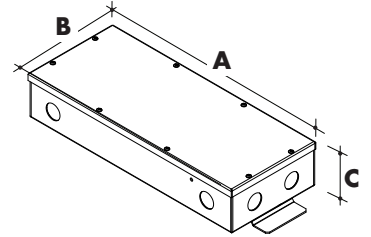
MODELS	L3DO
A Length	10.50"
B Width	5.50"
C Depth	2.00"



Enlighted Enabled Dimming Power Supplies:

MODEL	POWER	OUTPUT	DIMMING	Location
PSV	96	24	ENL	D
PSV - LED Power Supply	96 - 96 WATT	24 - 24 VDC	ENL - Enlighted Dimming	D - Damp

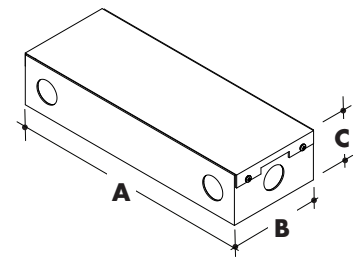
MODELS	96 W
A Length	14.40"
B Width	5.20"
C Depth	2.60"



Non-Dimming Power Supplies:

MODEL	POWER	OUTPUT	DIMMING	LOCATION
PSV	40	24	U2ND	D
PSV - PSV Series	40 - 40 W 60 - 60 W 96 - 96 W	24 - 24 VDC	U2ND - Non Dimming	D - Dry Location IP65 - Wet Location

MODELS	PSV Dry	PSV Wet
A Length	9.2"	9.5"
B Width	3.4"	4.12"
C Depth	1.9"	2.3"



In ground, Electronic Low Voltage Dimming Power Supplies:

MODEL	CIRCUIT x POWER	OUTPUT	INPUT
IG-CVE	96X2	24	
IG-CVE - In ground CVE Series dims down to 0.1%	96X2 - 2 x 96W	24 - 24 VDC	Blank - 120 V 277 - 240/277 V

MODELS	Dual circuit
A Length	8.0"
B Width	8.0"
C Depth	8.0"

