

Level - Installation Instructions



7777 Merrimac Ave
Niles, IL 60714
T 224.333.6033
F 224.757.7557
info@luminii.com
www.luminii.com

Please read all instructions prior to installation and keep for future reference!

1. Product to be installed by a qualified electrician.
2. Prior to installation ensure power is off at fuse box to prevent electrical shock.
3. All 120VAC wires must be present in junction box.
4. More than one person is recommended for this installation.

- Conforms to UL STD 1598
- Certified to CAN/CSA STD C22.2 No. 250.0-08

Page 1 of 2

1

wall

1.1 Lay the fixture next to the wall. Use a level to align & center the fixture to the junction box. Make any necessary markings to install the canopy & mounting bracket to the drywall.

Note: There are two anchor holes for the 78" version 76" spaced apart, and two for the 48" version spaced 46" apart.

2

wall

2.1 Align and then tap each anchor onto the marks until the threaded section. Followed by tightening the anchors with a Phillips screw driver.

3

wall

3.1 While holding the mounting bracket slide the canopy through the driver wires.

3.2 Connect the white (neutral) & black (hot) driver wires to the white & black power wires (120VAC).

3.3 Connect the ground wire in accordance with local electrical codes.

4

Note: Use the provided universal crossbar if canopy does not align to the junction box holes

4.1 Insert the wire nut connections into the junction box. Align the canopy/mounting bracket to the junction box holes & anchors and secure by using the provided screws.

5

5.1 Pull out the terminals from the inside of the mounting bracket.

5.2 Connect each pair of terminal blocks(24VDC) to the nearest set of fixture red & black wires. Repeat for the remaining terminal blocks.

5.3 Insert the terminal block connections back into the mounting bracket to avoid any interference.

Level - Installation Instructions



Intertek
4002302

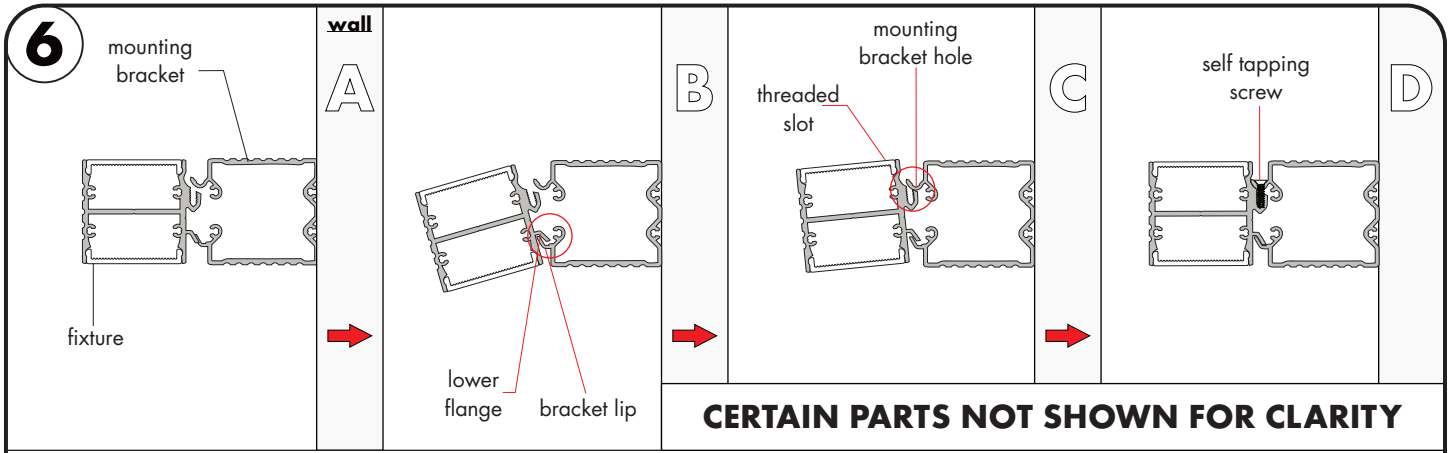
7777 Merrimac Ave
Niles, IL 60714
T 224.333.6033
F 224.757.7557
info@luminii.com
www.luminii.com

Please read all instructions prior to installation and keep for future reference!

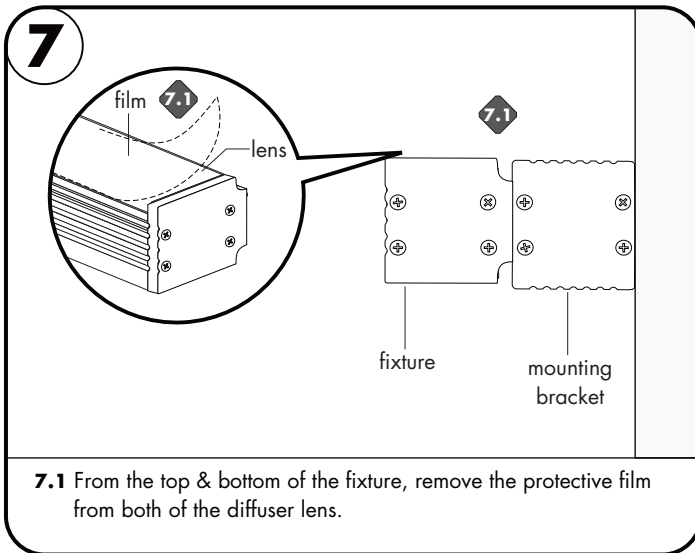
1. Product to be installed by a qualified electrician.
2. Prior to installation ensure power is off at fuse box to prevent electrical shock.
3. All 120VAC wires must be present in junction box.
4. More than one person is recommended for this installation.

- Conforms to UL STD 1598
- Certified to CAN/CSA STD C22.2 No. 250.0-08

Page 2 of 2



6.1 Insert the fixture lower flange into the mounting bracket lip. Then push the fixture threaded slot to the mounting bracket holes and secure using the provided self tapping screws, refer to diagram above for reference.



7.1 From the top & bottom of the fixture, remove the protective film from both of the diffuser lens.