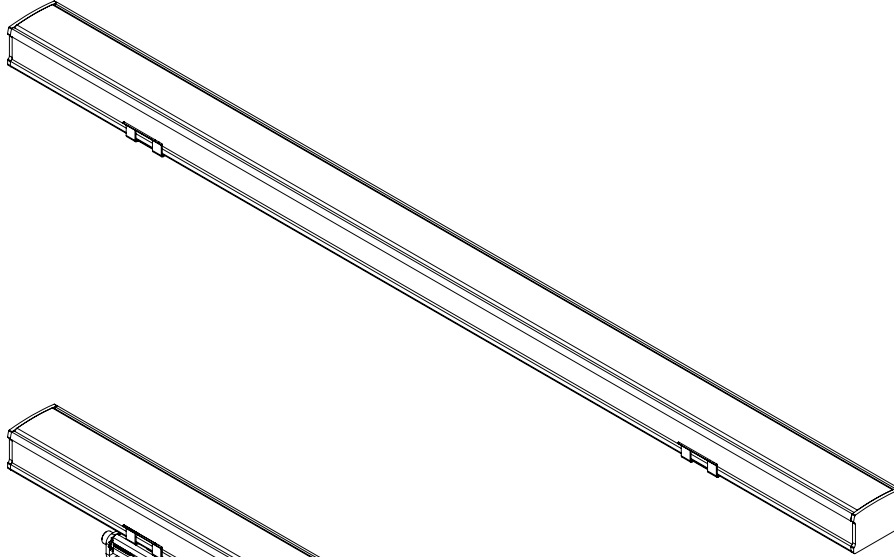


Installation Instructions for **Kendo S Wet, Kendo M Wet, Kendo L Wet, & Kendo XL Wet**  
Models KSW-XX, KMW-XX, KLVV-XX, & KXLV-XX

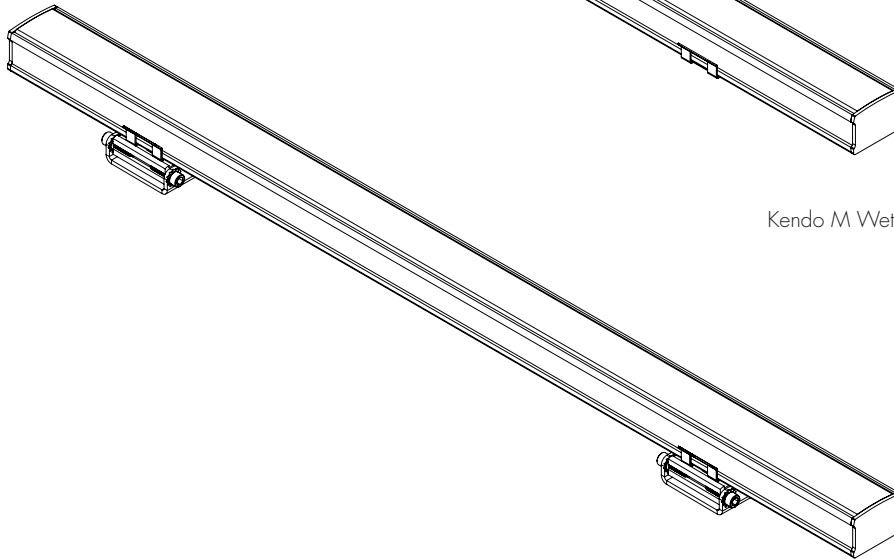


**luminii**

7777 Merrimac Ave  
Niles, IL 60714  
T 224.333.6033  
F 224.757.7557  
info@luminii.com  
www.luminii.com



Kendo M Wet with fixed clip mounting



Kendo M Wet with adjustable hinge mounting

**Instruction page index:**

Fixed mounting clip installation	2
Adjustable hinge installation	3
Connect to Power	4
Power feed layout guide	5

# Installation Instructions for Kendo S Wet, Kendo M Wet, Kendo L Wet, & Kendo XL Wet

Models KSW-XX, KMW-XX, KLVW-XX, & KXLW-XX



**luminii**  
 7777 Merrimac Ave  
 Niles, IL 60714  
 T 224.333.6033  
 F 224.757.7557  
 info@luminii.com  
 www.luminii.com

**Please read all instructions prior to installation and keep for future reference!**

- |  |  |
|--|--|
| 1. PRODUCT TO BE INSTALLED BY A QUALIFIED ELECTRICIAN. | 5. SURFACE MOUNT ONLY  |
| 2. USE ONLY WITH CLASS 2 POWER UNIT                    | 6. SUITABLE FOR INSTALLATION WITHIN THE CLOSET STORAGE SPACE |
| 3. 24 VOLTS DC   | 7. TYPE IC   |
| 4. SUITABLE FOR DAMP LOCATIONS                         | 8. INHERENTLY PROTECTED                                      |

## Fixed mounting clip installation

**1**

fixture 1.1

4" every 30" 4"

fixed mounting clip

surface

flathead screw

fixed mounting clip

fixed 45° degree mounting clip

1.1 Determine the location of where the fixture(s) will be installed. Lay the fixture(s) on the surface, and make any necessary reference marks for the fixed mounting clips (or if using the fixed 45° degree mounting clip). Make marks 4" from each end of the fixture(s) and also every 30" in between.

1.2 Lay the fixed clip onto the reference mark points and secure using the provided hardware.

**2**

Quick Connect/  
Wire Lead  
dimensions

Male quick connect end  
0.45"

Female quick connect end  
0.39"  
0.53"

Wire Lead  
0.20"

fixture 2.1

fixed mounting clip

pass through hole for power feed

surface

*- end power feed with wire leads*

fixture 1 lead wires fixture 2

to power supply

*- side power feed with wire leads*

fixture 1 lead wires fixture 2

to power supply

*- bottom power feed with wire leads*

fixture 1 lead wires fixture 2

to power supply

2.1 If necessary make any pass through holes for wire lead/connector to the surface, depending on the power feed option reference dimensions for hole size. Then snap the fixture into the fixed mounting clip to secure in place. Diagram on the right side illustrates the common way of connecting multiple fixtures to each other, depending on the location of the power feed wires.

# Installation Instructions for Kendo S Wet, Kendo M Wet, Kendo L Wet, & Kendo XL Wet

Models KSW-XX, KMW-XX, KLVW-XX, & KXLW-XX



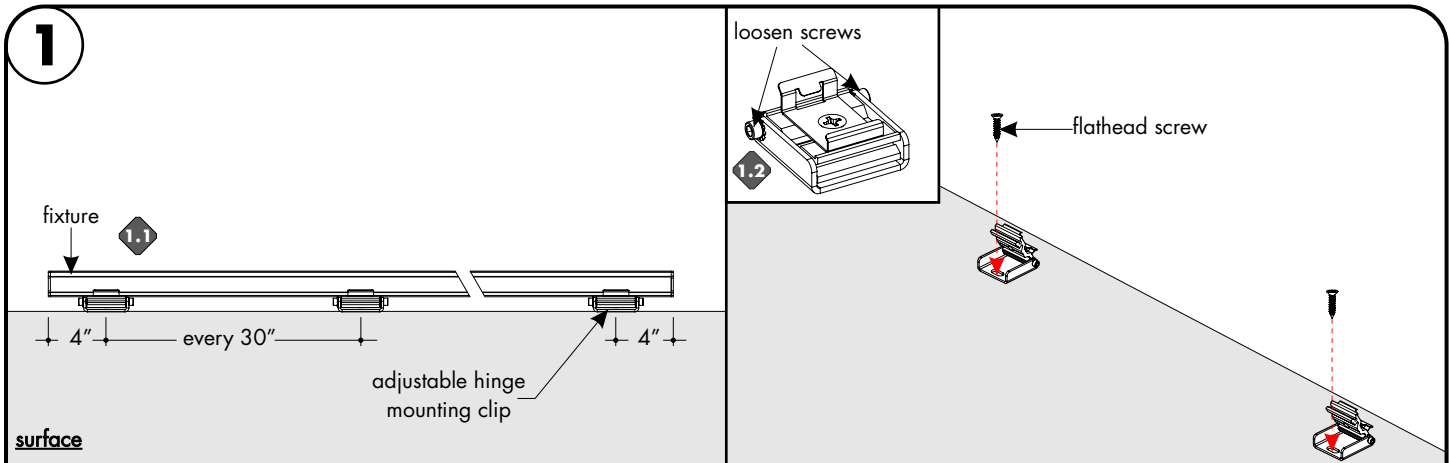
7777 Merrimac Ave  
Niles, IL 60714  
T 224.333.6033  
F 224.757.7557  
info@luminii.com  
www.luminii.com



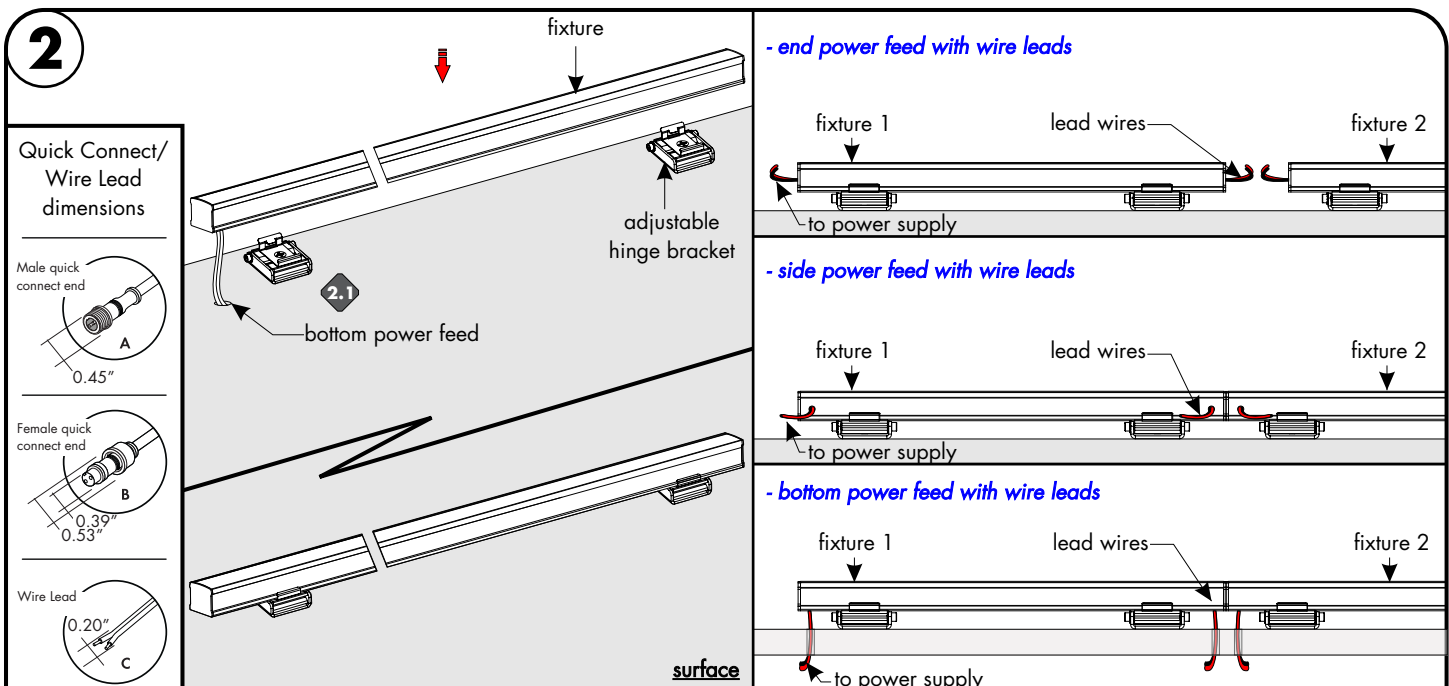
**Please read all instructions prior to installation and keep for future reference!**

- |  |  |
|--|--|
| 1. PRODUCT TO BE INSTALLED BY A QUALIFIED ELECTRICIAN. | 5. SURFACE MOUNT ONLY  |
| 2. USE ONLY WITH CLASS 2 POWER UNIT                    | 6. SUITABLE FOR INSTALLATION WITHIN THE CLOSET STORAGE SPACE |
| 3. 24 VOLTS DC   | 7. TYPE IC   |
| 4. SUITABLE FOR DAMP LOCATIONS                         | 8. INHERENTLY PROTECTED                                      |

## Adjustable hinge mounting clip installation



- 1.1** Determine the location of where the fixture(s) will be installed. Lay the fixture(s) on the surface, and make reference marks for the mounting clips. Make marks 4" from each end of the fixture(s) and also every 30" in between.
- 1.2** Slightly loosen the 2 screws on the side on adjustable bracket. Lay the bracket onto the reference mark points and secure using the provided hardware.



- 2.1** If necessary make any pass through holes for wire lead/connector to the surface, depending on the power feed option reference dimensions for hole size. Then rotate fixture to the appropriate degree, followed by tightening the screws on the side. Then snap the fixture into the fixed mounting clip to secure in place. Diagram on the right side illustrates the common way of connecting multiple fixtures to each other, depending on the location of the power feed wires.

# Installation Instructions for **Kendo S Wet, Kendo M Wet, Kendo L Wet, & Kendo XL Wet** Models KSW-XX, KMW-XX, KLVV-XX, & KXLV-XX



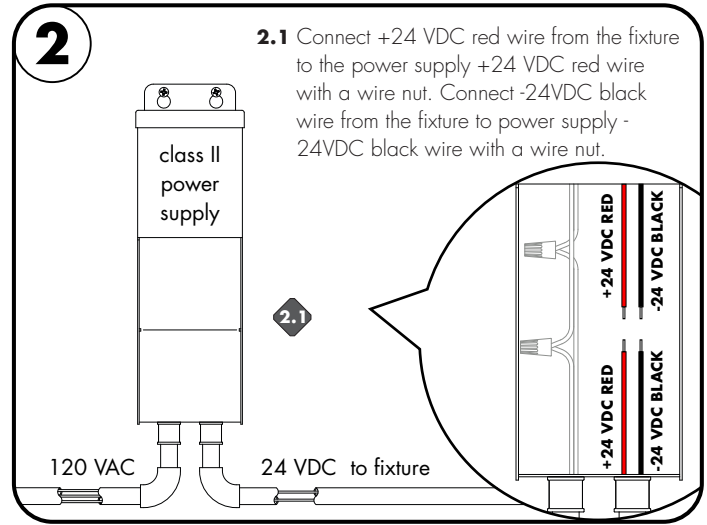
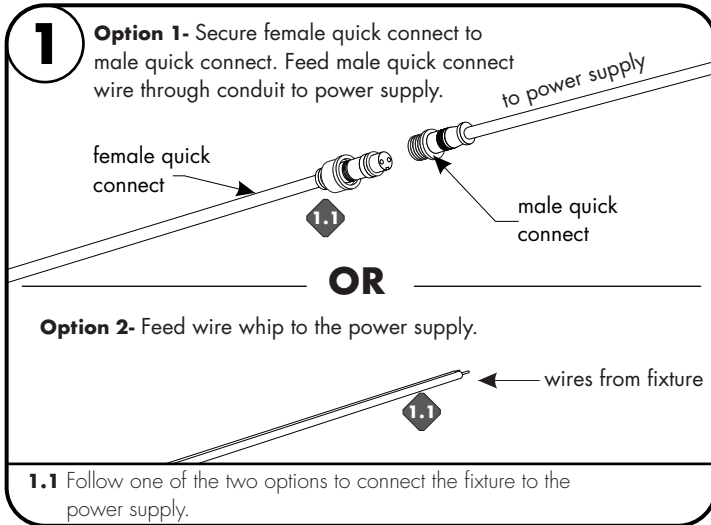
**luminii**

7777 Merrimac Ave  
Niles, IL 60714  
T 224.333.6033  
F 224.757.7557  
info@luminii.com  
www.luminii.com

**Please read all instructions prior to installation and keep for future reference!**

- |  |  |
|--|--|
| 1. PRODUCT TO BE INSTALLED BY A QUALIFIED ELECTRICIAN. | 5. SURFACE MOUNT ONLY  |
| 2. USE ONLY WITH CLASS 2 POWER UNIT                    | 6. SUITABLE FOR INSTALLATION WITHIN THE CLOSET STORAGE SPACE |
| 3. 24 VOLTS DC   | 7. TYPE IC   |
| 4. SUITABLE FOR DAMP LOCATIONS                         | 8. INHERENTLY PROTECTED                                      |

## Connect to Power



# Installation Instructions for Kendo S Wet, Kendo M Wet, Kendo L Wet, & Kendo XL Wet

Models KSW-XX, KMW-XX, KLVW-XX, & KXLW-XX



**luminii**

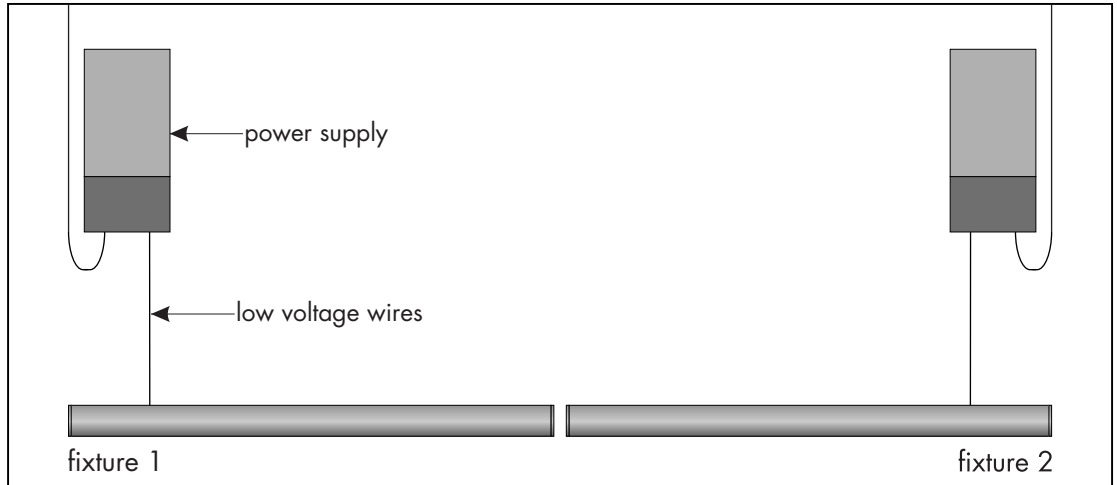
7777 Merrimac Ave  
Niles, IL 60714  
T 224.333.6033  
F 224.757.7557  
info@luminii.com  
www.luminii.com

**Please read all instructions prior to installation and keep for future reference!**

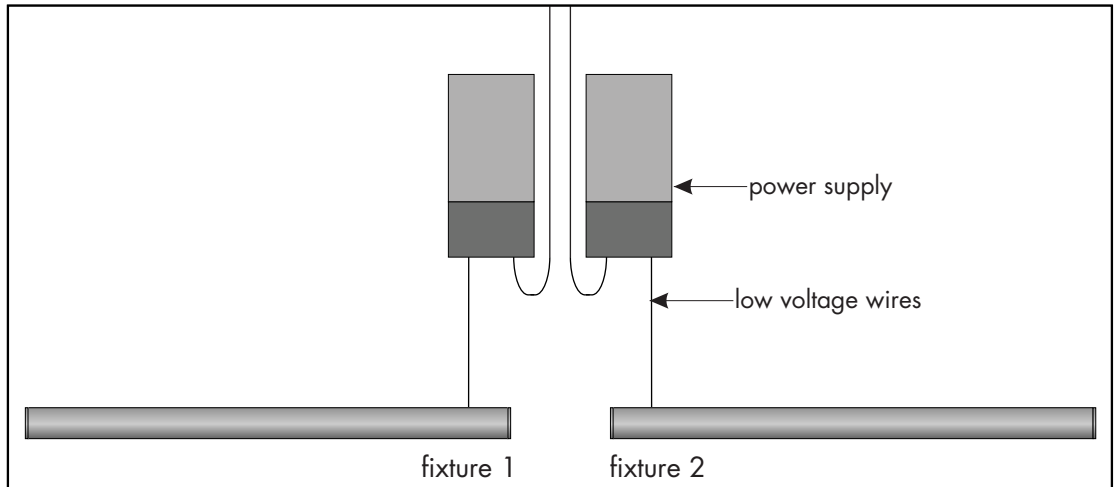
1. PRODUCT TO BE INSTALLED BY A QUALIFIED ELECTRICIAN.
2. USE ONLY WITH CLASS 2 POWER UNIT
3. 24 VOLTS DC
4. SUITABLE FOR DAMP LOCATIONS
5. SURFACE MOUNT ONLY
6. SUITABLE FOR INSTALLATION WITHIN THE CLOSET STORAGE SPACE
7. TYPE IC
8. INHERENTLY PROTECTED

## Multiple powerfeed layouts

### power supplies at the end of the run



### power supplies in the middle of the run



### consecutive layout, NOT RECOMMENDED

