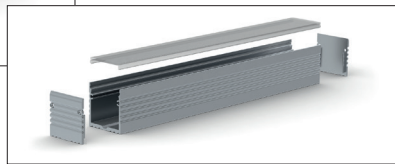
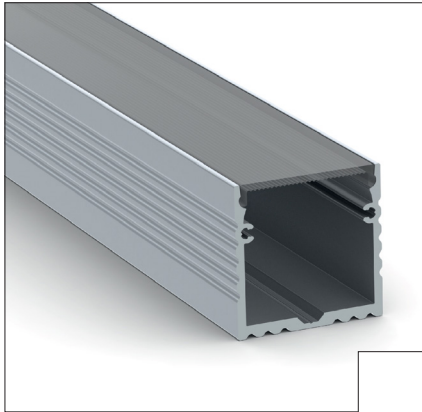
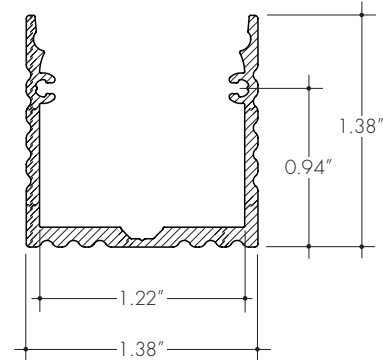


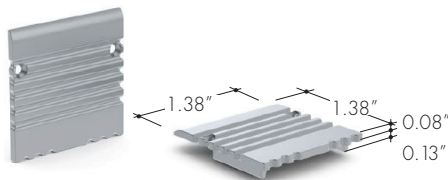
The PLA Channel is a linear aluminum extrusion that has been designed to fit many LED lighting needs and specifically high output applications. Substantial aluminum mass in profile provides excellent heat sink and physical protection for high power LEDs. The wide profile design can accommodate up to two rows of LED strips making the PLA linear aluminum extrusion ideal for bright general lighting applications. Extrusion and lens are field-cutttable. End caps & joiners sold separately.



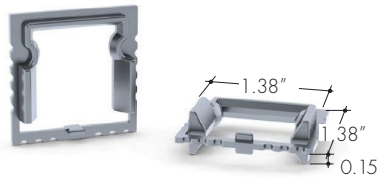
PLA extrusion assembly



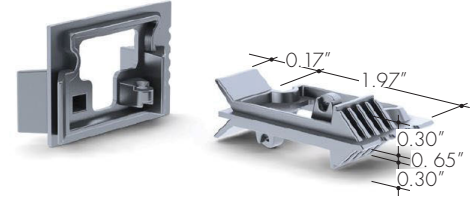
Accessories



EC-PLA
endcap



LC-PLA-SA
joiner



90LC-PLA-SA
90° joiner

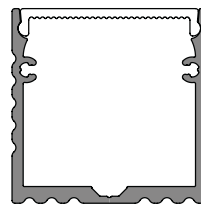
Technical information

Finish: Silver anodized

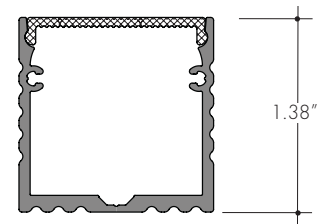
Available length: 39.40", 78.75" and 118.19"

Diffuser: polycarbonate, snap-in-place, UV resistant
Choice of clear or frosted lens with linear spread

Mounting: screw fasteners



PLA extrusion with clear lens



PLA extrusion with frosted lens

Ordering code

MODEL	LENGTH	DIFFUSER	FINISH
PLA	39	C	SA
PLA - PLA aluminum extrusion	39 - 39.40" 78 - 78.75" 118 - 118.19"	C - Clear F - Frosted	SA - Silver anodized