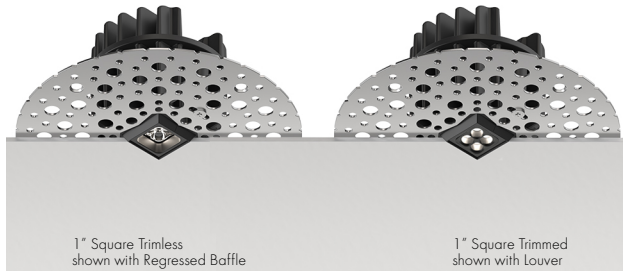
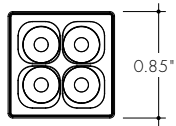


Features



- 0.85" aperture packs high performance and punch from an incredibly small downlight
- Magnetic retention for interchangeable optics allows for easy beam adjustment in the field
- Constant Voltage design simplifies installation, allowing multiple downlights to operate from a single Power Supply
- Drywall anchors and screws included
- For ceiling thicknesses from 0.375" up to 2.0"
- LED Module is field serviceable from below the ceiling
- 24VDC Class 2 fixtures and power supplies
- Space fixtures at least 16" apart on center
- Wet Rated, Airtight Rated
- IC rated
- L90 > 50k hours
- 5 year warranty



Finish Options

- Black
- White



Technical Information

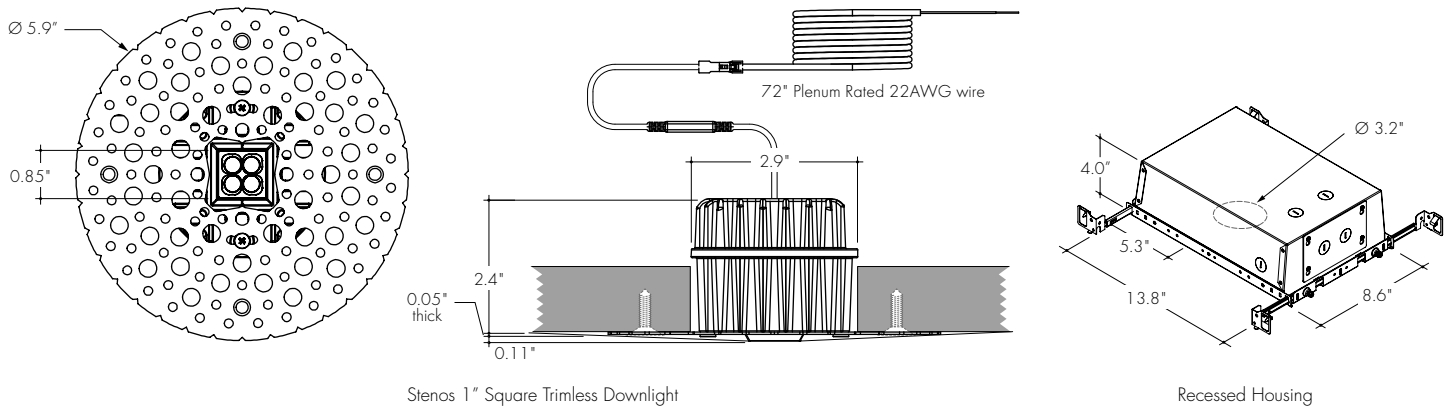
OUTPUT	SO ¹				
	R15 ²	R30 ²	LV15	LV30	LV60
Lumen Output (3000K)	610 lm	633 lm	461 lm	445 lm	364 lm
Beam Spread (FWHM)	15°	26°	15°	29°	58°
Center Beam Candlepower (candela)	3924 cd	2481 cd	3981 cd	1300 cd	399 cd
Power Consumption	7.2 W				
Efficacy	85 lm/W	88 lm/W	62lm/W	60 lm/W	50 lm/W
Aesthetic	Regressed Baffle		Louver		

CCT	Multiplier (reference - 3000K)	TM-30			
		CRI	R _f	R _g	R ₉
2700K	0.99	93	92	100	62
3000K	1.00	94	92	100	66
3500K	1.08	95	92	100	74
4000K	1.12	93	91	101	79

¹ - For LO output, 4 W, multiple table values (Lumen Output and Center Beam Candlepower) by 55%

² - Tested with White Regressed Baffle

Product Dimensions



Ordering Code

MODEL	SIZE	TRIM	TYPE	CCT	OUTPUT ¹	OPTIC	FINISH
SD - Stenos Downlight	1D - 1" Square	L - Trimless, 0.85"	F - Fixed	27K - 2700K 30K - 3000K 35K - 3500K 40K - 4000K	SO - Standard LO - Low, 4W	LV15 - 15° optic + Louver LV30 - 30° optic + Louver LV60 - 60° optic + Louver R15 - 15° optic Regressed Baffle R30 - 30° optic Regressed Baffle ²	BK - Black WH - White

¹ - Standard and Low Output are IC rated and do not require a housing.

² - R30 is interchangeable with only LV30 and LV60 accessories.

Ordering Code Housing (Optional)

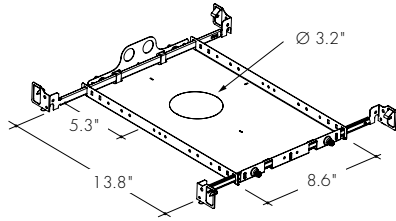
MODEL	SIZE	TRIM	HOUSING
RHI - Recessed New Construction Housing, IC Rated	1D - 1" Square Downlight	L - Trimless	R - Remote Power Supply ¹
RHC - Recessed New Construction Housing, Chicago Plenum Rated			
RMP - Recessed New Construction Mounting Pan			

¹ - See Power Supplies section for compatible list. Available as Remote mounting only.

Mounting Options (Optional)

RMP-1D-L-R

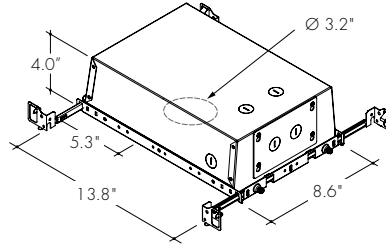
Recessed New Construction Mounting Pan, 1" Square Trimless Downlight



Includes Hanger Bar set (PF-HB-ALL), extendable from 14" to 24". Knock-outs are Ø0.875".

RHI-1D-L-R

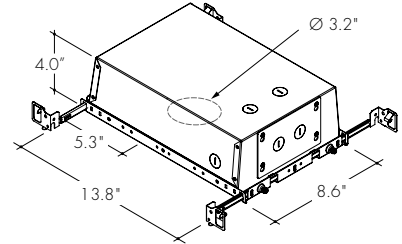
Recessed New Construction Housing, IC Rated, 1" Square Trimless Downlight



Includes Hanger Bar set (PF-HB-ALL), extendable from 14" to 24". Knock-outs are Ø0.875". Can be used for spray foam insulation.

RHC-1D-L-R

Recessed New Construction Housing, Chicago Plenum, 1" Square Trimless Downlight

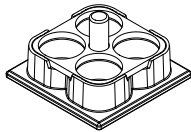


Includes Hanger Bar set (PF-HB-ALL), extendable from 14" to 24". Knock-outs are Ø0.875". Can be used for spray foam insulation.

Accessories

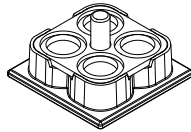
SAC-LV15-1D-XX

Stenos Accessory, 15° Optic and Louver, 1" Downlight



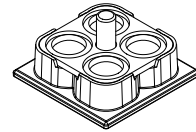
SAC-LV30-1D-XX

Stenos Accessory, 30° Optic and Louver, 1" Downlight



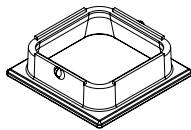
SAC-LV60-1D-XX

Stenos Accessory, 60° Optic and Louver, 1" Downlight



SAC-R-1D-XX

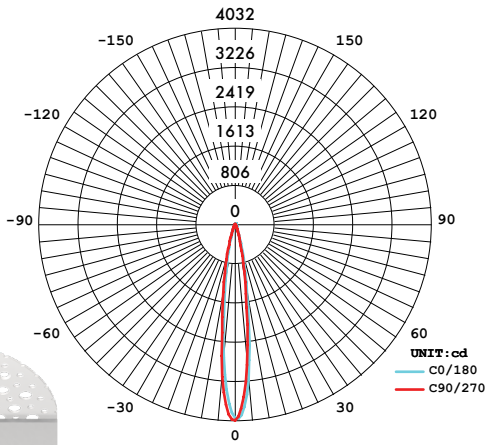
Regressed Baffle



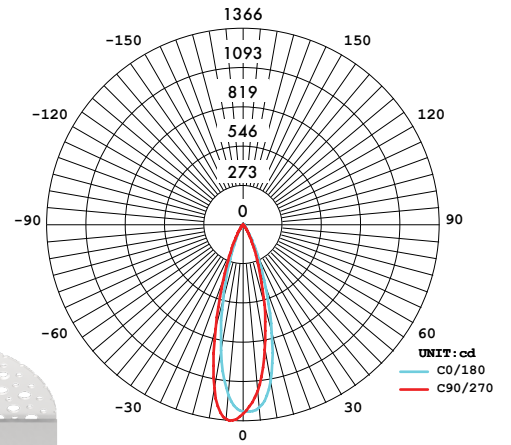
XX	Color
WH	White
BK	Black

Photometry

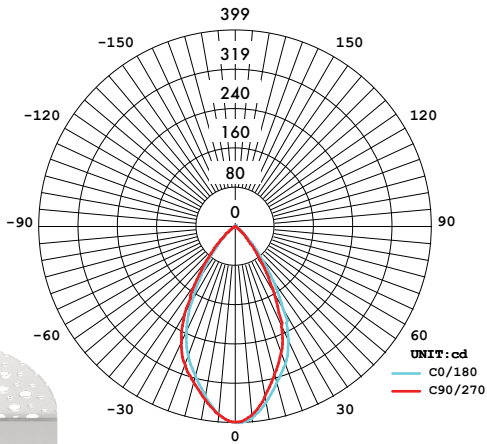
15° Optic and Louver



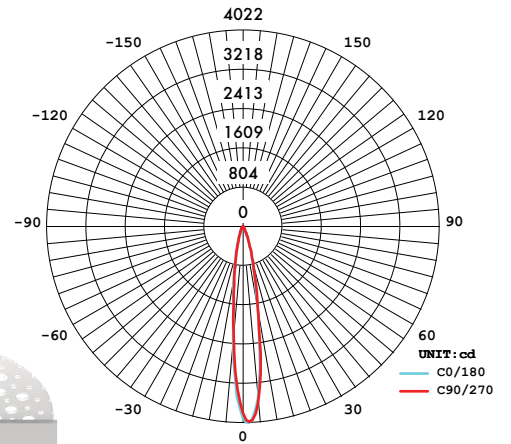
30° Optic and Louver



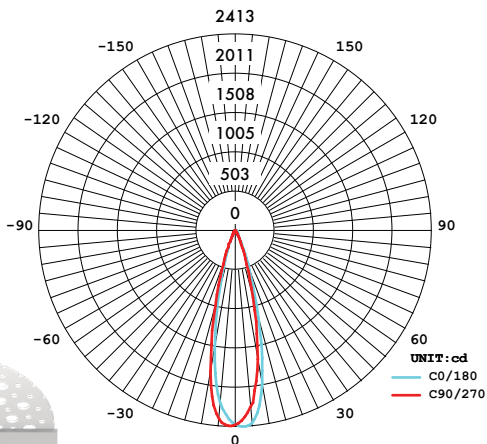
60° Optic and Louver



15° Regressed Trim

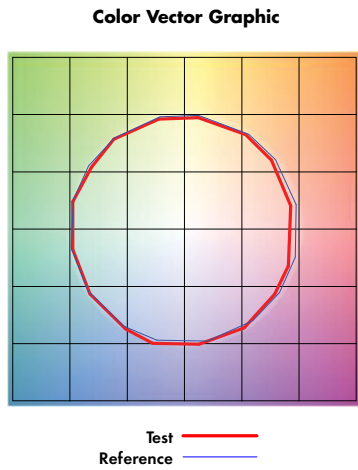


30° Regressed Trim



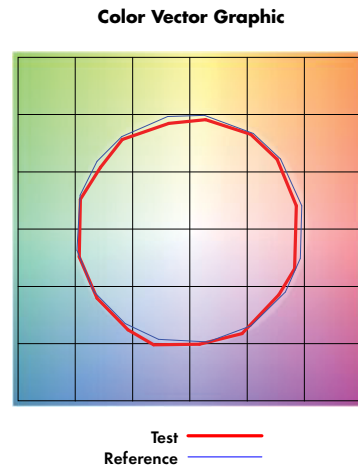
TM-30-15-Data

27K CCT



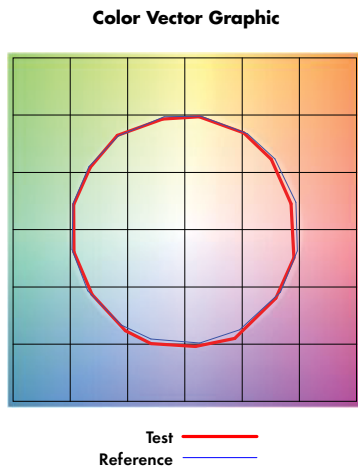
Graphic Shifts (%)			
Hue Bin	Rf	Chroma	Hue
1	89.9	-5.0%	0.1%
2	92.9	-3.1%	1.7%
3	93.7	-1.9%	2.2%
4	96.3	-2.2%	-0.2%
5	96.2	-1.7%	1.5%
6	96.3	-0.5%	1.1%
7	95.4	-2.6%	-0.3%
8	96.7	0.4%	1.8%
9	96.1	-1.0%	1.8%
10	94.6	0.0%	2.7%
11	95.6	1.2%	3.1%
12	90.5	3.4%	-2.9%
13	89.1	1.2%	-7.6%
14	86.8	1.0%	-9.8%
15	91.1	-2.8%	-3.6%
16	85.7	-4.5%	-8.6%

30K CCT



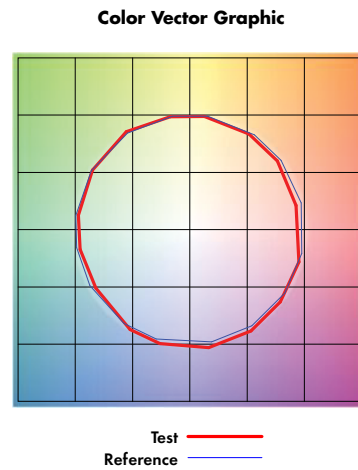
Graphic Shifts (%)			
Hue Bin	Rf	Chroma	Hue
1	89.2	-4.7%	1.2%
2	93.0	-2.6%	1.4%
3	94.6	-1.7%	1.3%
4	93.3	-3.5%	-1.7%
5	92.1	-6.1%	0.1%
6	95.0	-2.3%	0.9%
7	89.6	-5.4%	2.6%
8	89.6	-0.9%	3.4%
9	89.6	-0.8%	6.0%
10	89.6	0.8%	6.4%
11	90.5	3.1%	5.0%
12	88.8	5.6%	-3.3%
13	89.1	0.5%	-7.5%
14	86.1	1.5%	-10.1%
15	86.3	-3.3%	-5.3%
16	84.5	-3.1%	-9.9%

35K CCT



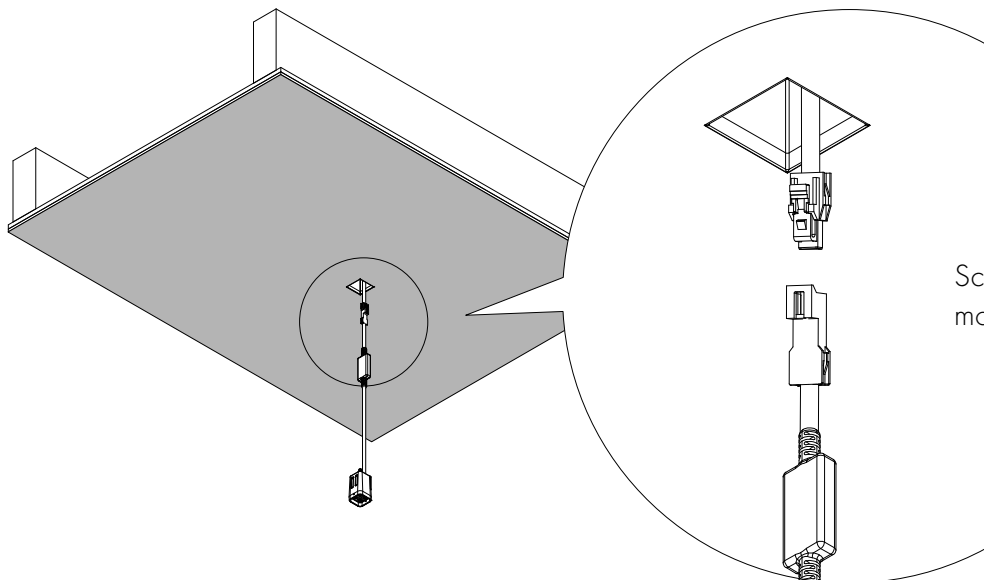
Graphic Shifts (%)			
Hue Bin	Rf	Chroma	Hue
1	90.9	-4.5%	-0.4%
2	93.4	-2.7%	1.7%
3	92.4	-1.2%	3.2%
4	95.7	-0.9%	1.2%
5	94.8	-1.6%	1.4%
6	96.9	1.0%	0.4%
7	95.8	-1.5%	-0.3%
8	97.3	-0.6%	0.9%
9	94.9	-1.4%	2.5%
10	91.4	-1.3%	4.7%
11	89.2	2.3%	5.9%
12	90.0	4.0%	0.7%
13	92.5	2.2%	-4.2%
14	88.2	3.6%	-7.8%
15	89.0	-0.5%	-6.6%
16	87.4	-1.6%	-6.6%

40K CCT



Graphic Shifts (%)			
Hue Bin	Rf	Chroma	Hue
1	90.1	-4.9%	-1.3%
2	93.4	-3.0%	1.5%
3	90.0	-2.0%	4.3%
4	94.1	-0.6%	2.7%
5	93.6	-0.2%	2.2%
6	96.4	1.6%	0.2%
7	97.0	-0.7%	-1.1%
8	95.2	-2.0%	-0.5%
9	93.8	-2.7%	2.1%
10	89.7	-3.3%	4.7%
11	87.1	1.6%	7.4%
12	89.0	3.4%	3.8%
13	90.8	4.3%	-3.5%
14	93.2	3.4%	-3.1%
15	87.0	0.8%	-8.6%
16	86.0	-1.0%	-7.9%

Field Serviceability



Screw in center of optic allows module to drop down

Power Supplies

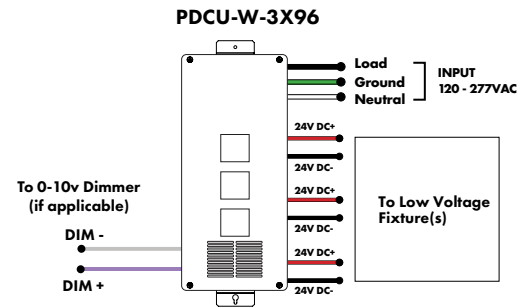
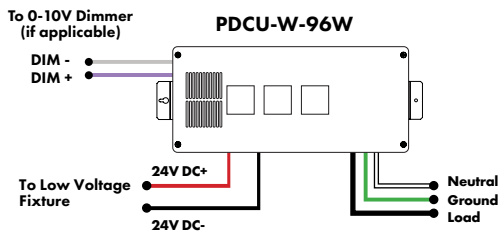
See Power Supply instructions and spec sheet for wiring information. For a complete list of compatible dimmers, see Compatible Dimming Chart on the Resources page.

Universal Power Supply 1% 120VAC - 277VAC

MODEL	POWER	OUTPUT
PDCU-W-IP66 Wet Series	30-30 W 60-60 W 96-96 W 3X96-3X96 W	24-24 VDC

0-10V dims down to 1%, MLV/ELV/TRIAC dims down to 1%.
For a complete list of compatible dimmers, see [Compatible Dimming Chart](#) on the Resources page.

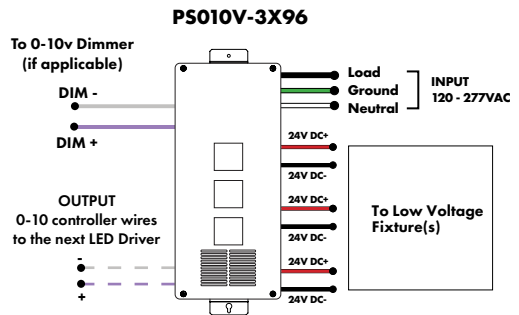
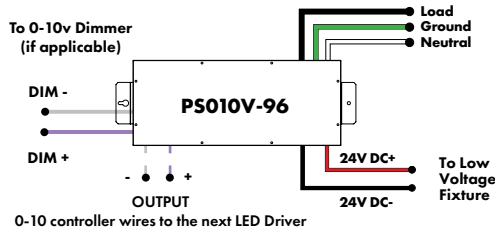
MODELS	PDCU-W 96W	PDCU-W 3X96W	PDCU-W 30W	PDCU-W 60W
Length	8.66"	11.85"	6.50"	7.40"
Width	3.73"	4.32"	3.73"	3.73"
Depth	1.61"	1.81"	1.61"	1.61"



0-10V Dimming Power Supplies 0.1% 120VAC - 277VAC

MODEL	POWER	OUTPUT	DIMMING
PSO10V-0-10V Power Supply dims down to 0.1%	96-96 Watt 3X96-3 X 96 Watt	24-24 VDC	LIN-Linear LOG-Logarithmic

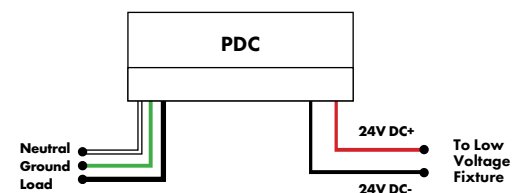
MODELS	96W	3X96
Length	14.40"	15.75"
Width	5.20"	6.62"
Depth	2.60"	4.95"



Triac, MLV, ELV, & PWM Compatible Dimmers

MODEL	POWER	OUTPUT
PDC - (IP20) Power Supply	96 - 96 Watts	24 - 24 VDC

MODELS	96W
Length	8.25"
Width	4.10"
Depth	1.56"



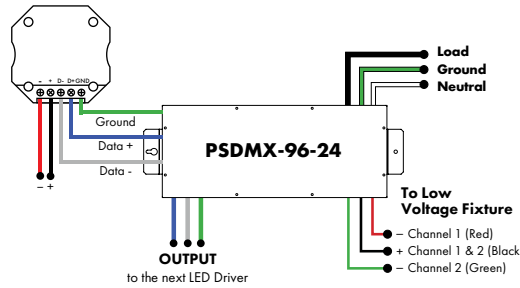
Power Supplies

See Power Supply instructions and spec sheet for wiring information. For a complete list of compatible dimmers, see Compatible Dimming Chart on the Resources page.

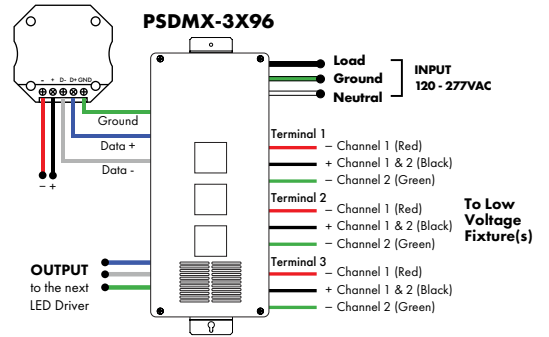
DMX Dimming Power Supplies 120VAC - 277VAC

MODEL	POWER	OUTPUT
PSDMX-DMX Power Supply dims down to 0%	96-96 Watt 3X96-3 X 96 Watt	24-24 VDC

Features eldoLED's LINEARdrive configurable dimmable drivers



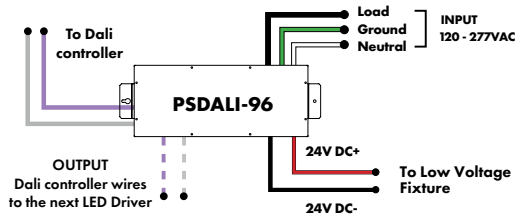
MODELS	96W	3X96
Length	14.40"	15.75"
Width	5.20"	6.62"
Depth	2.60"	4.95"



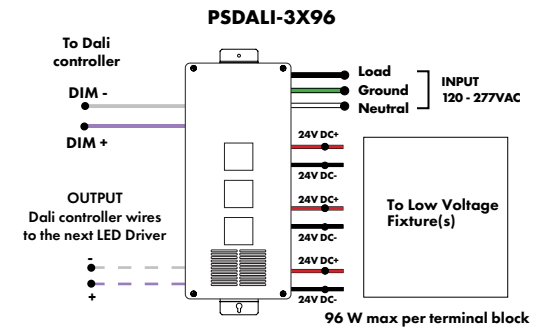
DALI 0% Dimming Power Supplies 120VAC - 277VAC

MODEL	POWER	OUTPUT
PSDALI-DALI Power Supply dims down to 0%	96-96 Watt 3X96-3 X 96 Watt	24-24 VDC

Features eldoLED's LINEARdrive configurable dimmable drivers



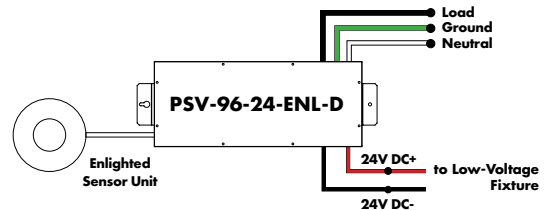
Model	96W	3X96
Length	14.40"	15.75"
Width	5.20"	6.62"
Depth	2.60"	4.95"



Enlighted Enabled Dimming Power Supplies 120VAC - 277VAC

MODEL	POWER	OUTPUT	DIMMING	LOCATION
PSV - PSV Series	96 - 96 Watt	24 - 24 VDC	ENL - Enlighted Dimming dims down to 0%	D - Damp

Model	96W
Length	14.40"
Width	5.20"
Depth	2.60"



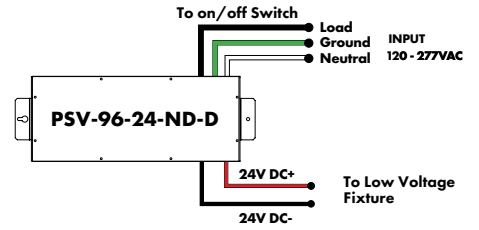
Power Supplies

See Power Supply instructions and spec sheet for wiring information. For a complete list of compatible dimmers, see Compatible Dimming Chart on the Resources page.

Non-Dimming Power Supply 120VAC - 277VAC

MODEL	POWER	OUTPUT	DIMMING	LOCATION
PSV - PSV Series	96 - 96 Watt	24 - 24 VDC	U2ND - Non Dimming	D - Damp

MODELS	96W
Length	14.40"
Width	5.20"
Depth	2.60"



LUTRON[®]

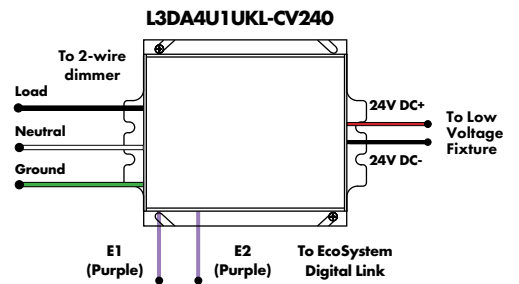
Luminii is a Lutron OEM Advantage Partner

Lutron Power Supplies 1%

MODEL
L3DA4U1UKL-CV240

HiLume™ 1% EcoSystem Voltage LED driver 40W max

MODELS	L3DA4U1UKL-CV240
Length	4.98"
Width	4.00"
Depth	2.62"



LUTRON[®]

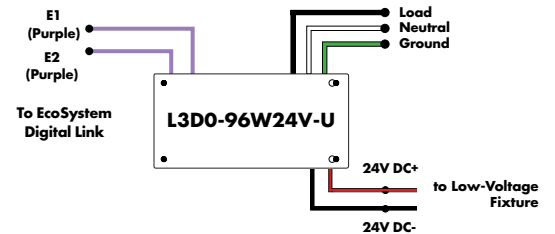
Luminii is a Lutron OEM Advantage Partner

Lutron Power Supplies 0.1%

MODEL
L3D0-96W24V-U

HiLume™ 0.1% EcoSystem Voltage LED Driver with Soft-On, Fade-to-Black™ 96W max

MODELS	L3D0
Length	10.50"
Width	5.50"
Depth	2.00"



In-Ground Power Supplies

MODEL	POWER	OUTPUT	INPUT
IG - In ground CVE Series	CVE - ELV Dimming DALI - eldoLED Dali dimming Both dims down to 0%	96X2 - 2 X 96 Watt 24 - 24 VDC	Blank - 120 V 277 - 240/277 V

MODELS	Dual Circuit
Length	8.40"
Width	8.30"
Depth	8.10"

