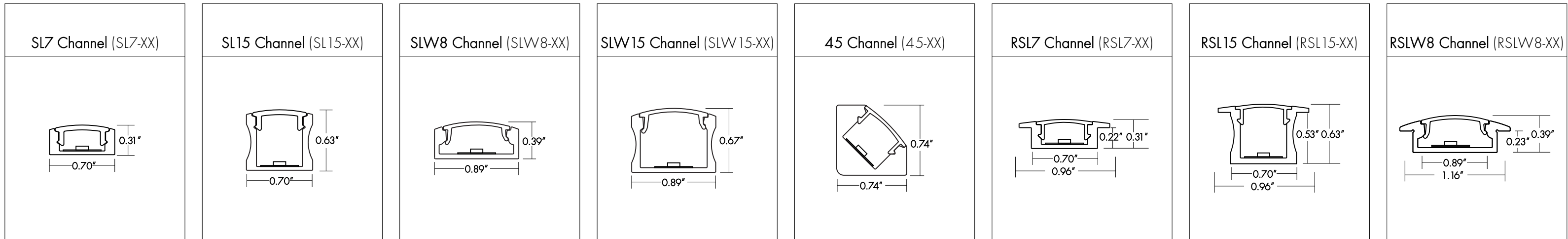


Discontinued Extrusion - Cross Reference

Reference diagram below to compare new models to the old discontinued models

DISCONTINUED MODELS



NEW MODELS

