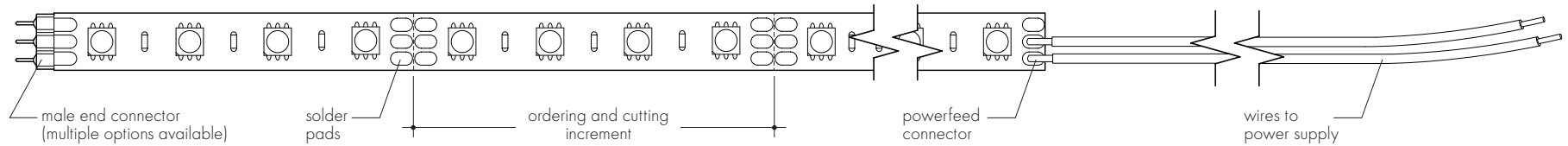
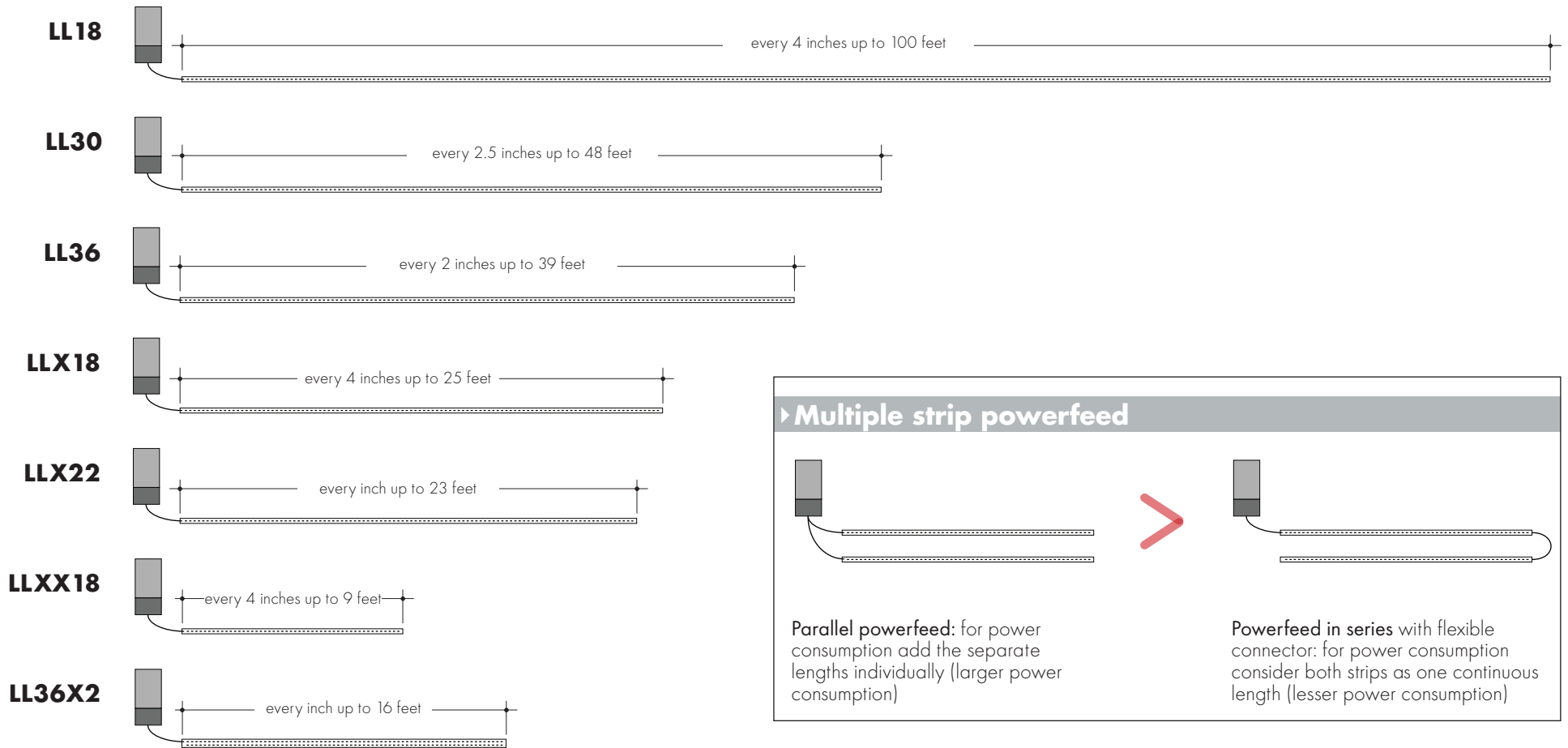


1. ORDERING

▶ Sample LineLED strip components

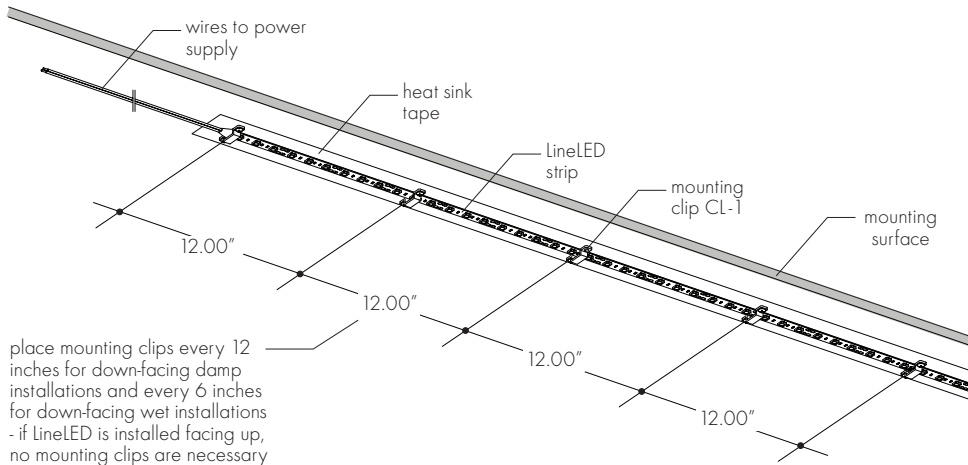


▶ Cutting increment and maximum run lengths with PSD-96-24

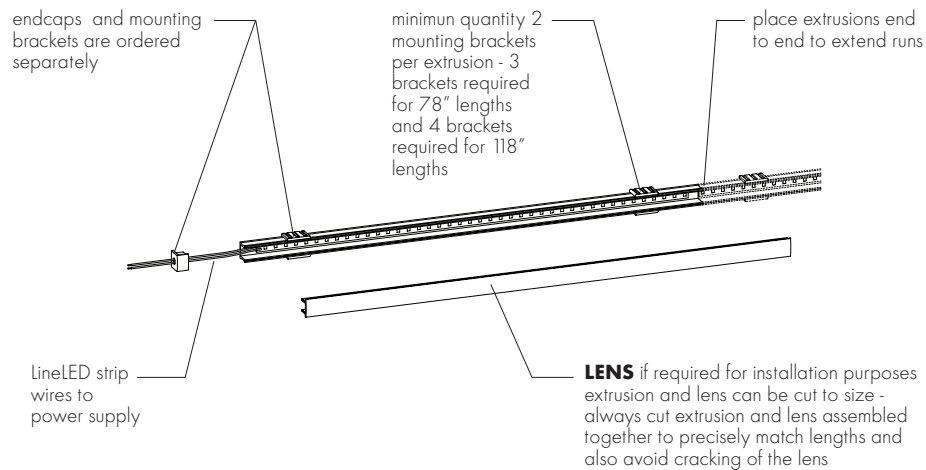


2. MOUNTING

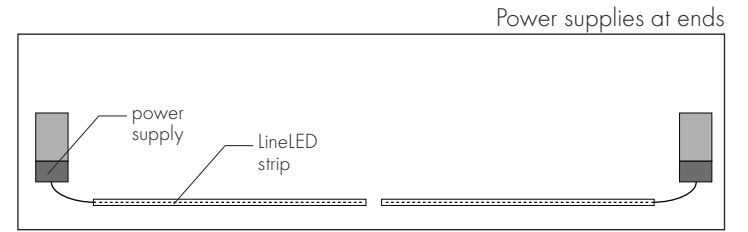
▸ Securing strip in place



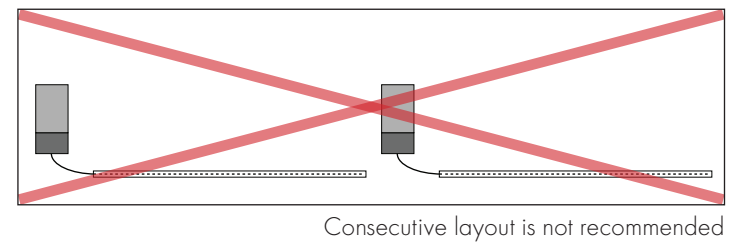
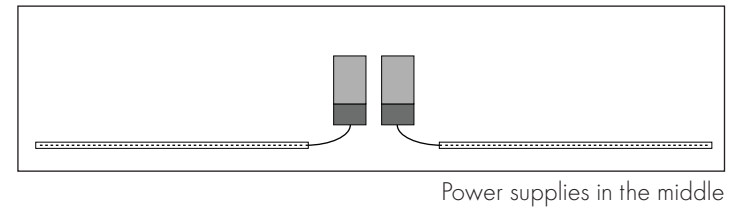
▸ Securing strip within extrusion



▸ Multiple powerfeed layout

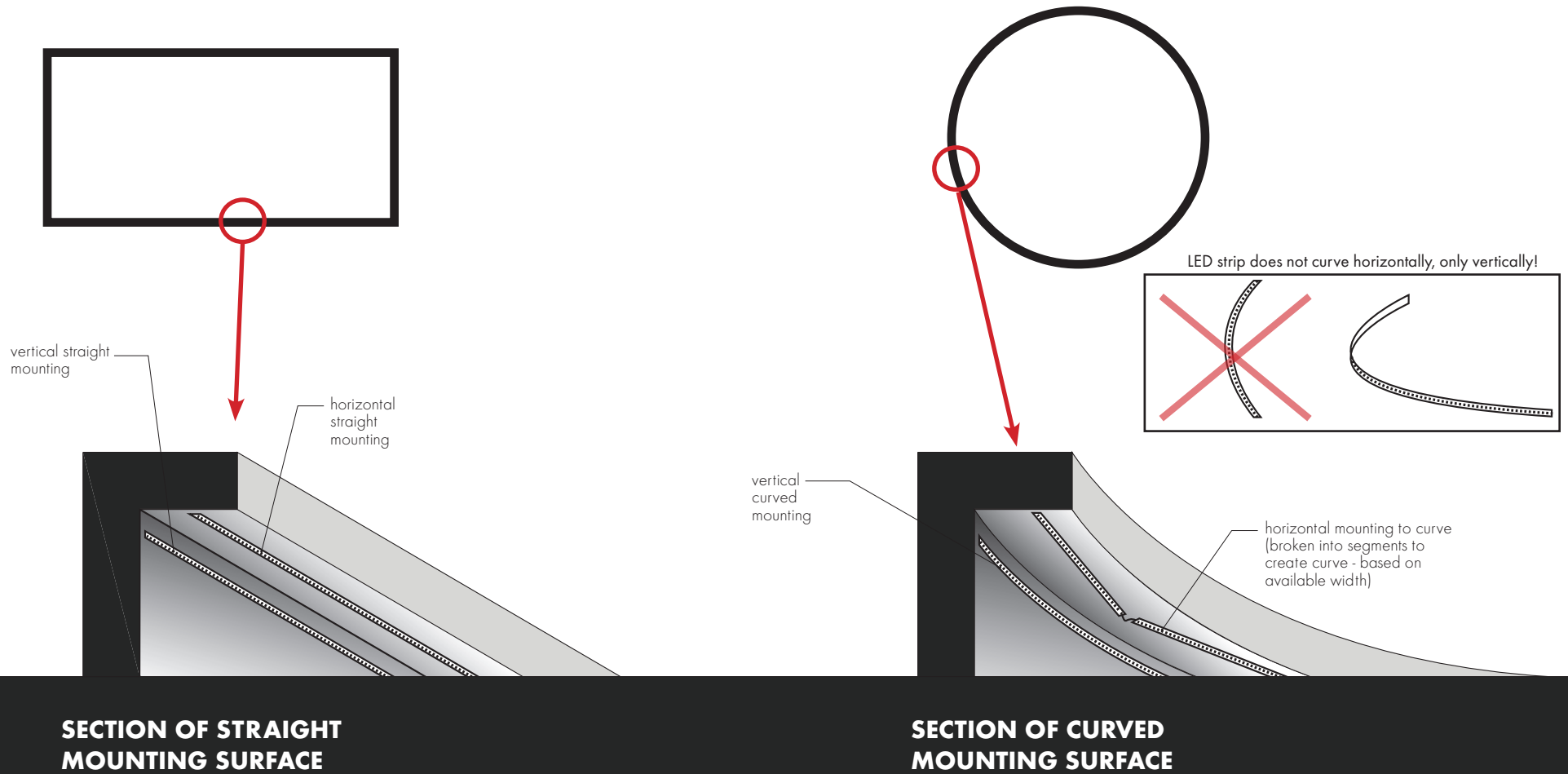


OR



2. MOUNTING

▶ Straight and curved mounting surface



3. OPERATION

► Preparation for operation and dimming diagram

